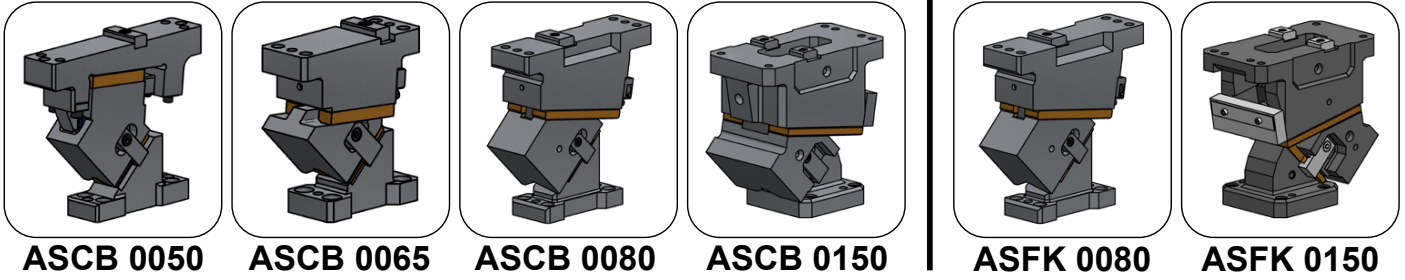




# ASCB-ASFK

Aerial cam for pierce

## General information



### ASCB

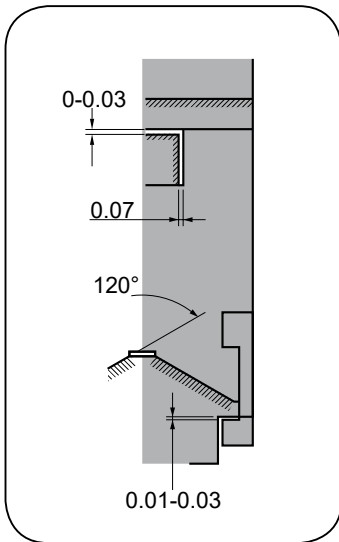
- Aerial cam.
- Angles from 0° to 70° with increments of 5°.
- "V" shaped sliding for auto-centered.
- Extensible mount length.
- Slider easy desassembly from the rear.

### ASFK

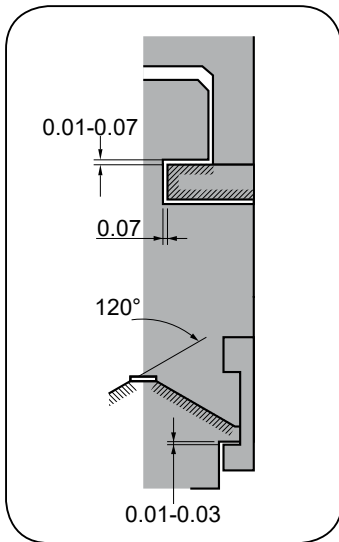
- Spring return in 2 steps.
- Higher return force than ASCB.
- 1.4 times stroger than "ASCB".

## Adjustment clearances

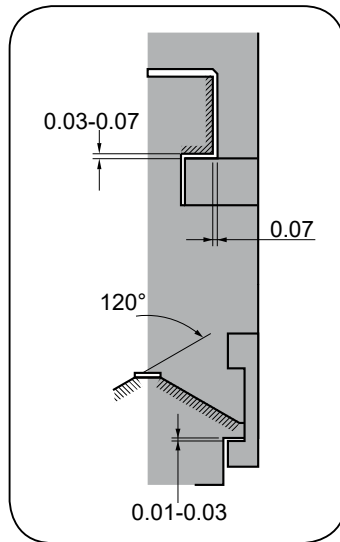
ASCB 0050



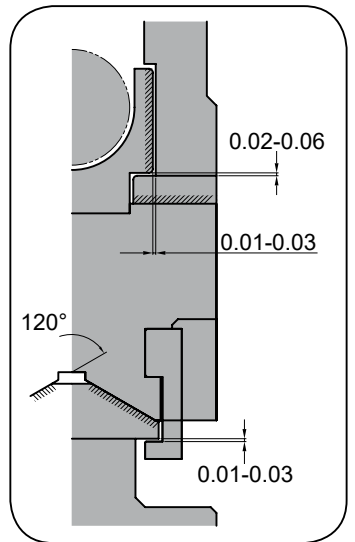
ASCB 0065



ASFK 0080  
ASCB 0080



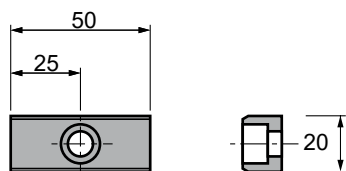
ASFK 0150  
ASCB 0150



## Keys

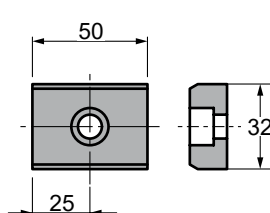
### K

ASCB 0050 / 0065



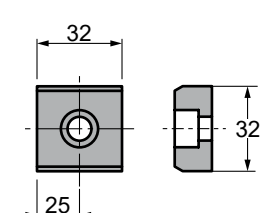
### K

ASFK 0080  
ASCB 0080



### K

ASFK 0150  
ASCB 0150



# ASCB-ASFK

Aerial cam for pierce



## Assembling and disassembling

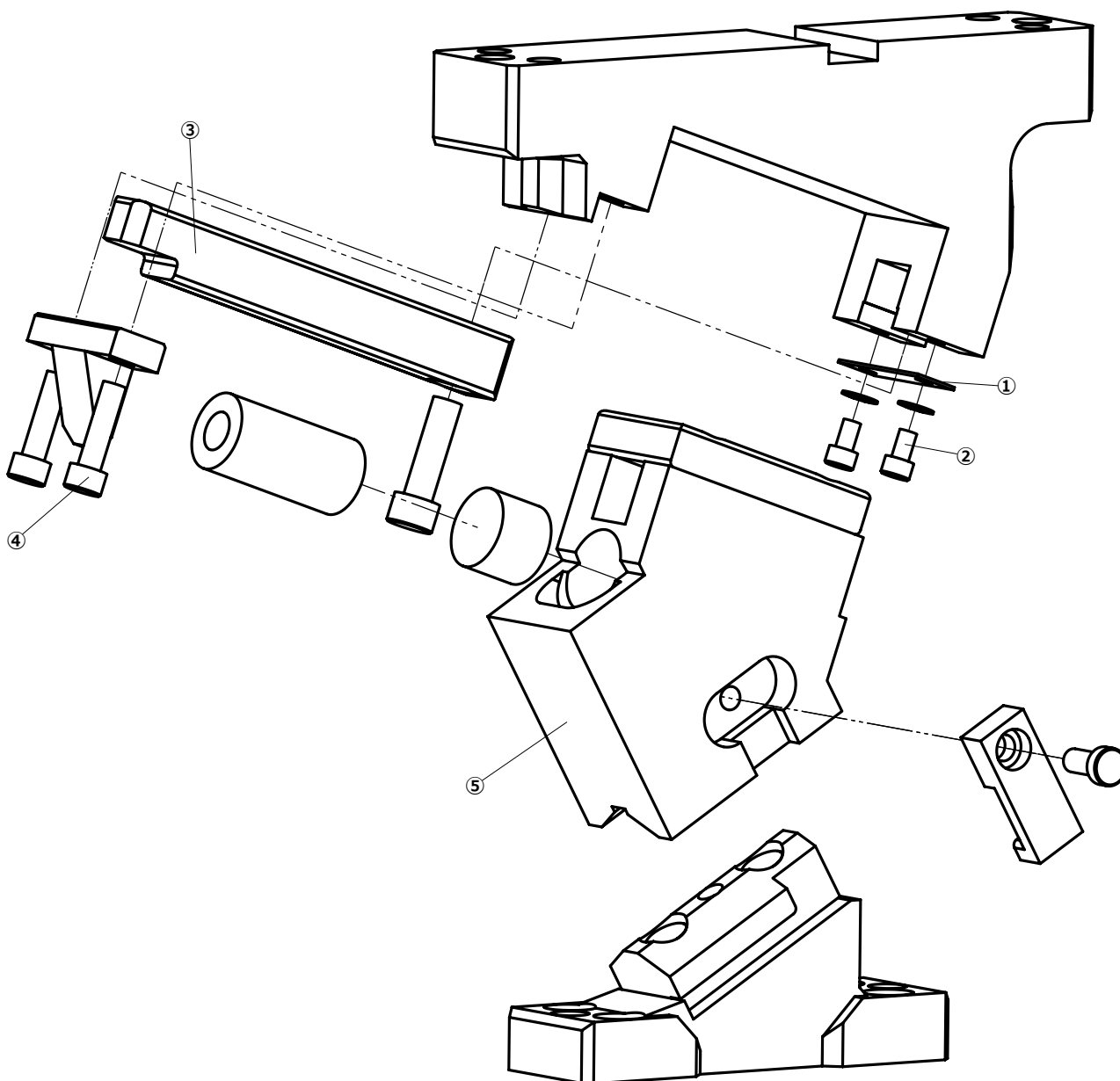
### ASCB 0050 / 0065

#### Disassembling process

- Unscrew ② pieces and remove stopper plates ①.
- Unscrew ④.
- Push guide bar ③ and remove cam slider ⑤.

#### Assembling process

- Make sure that there are no metal shaving or impurities.
- The clearance between the cam holder and slider is controlled.
- Match the serial numbers marked in each part before assembly.
- Make sure that all the screws have been used.



# ASCB-ASFk

*Aerial cam for pierce*

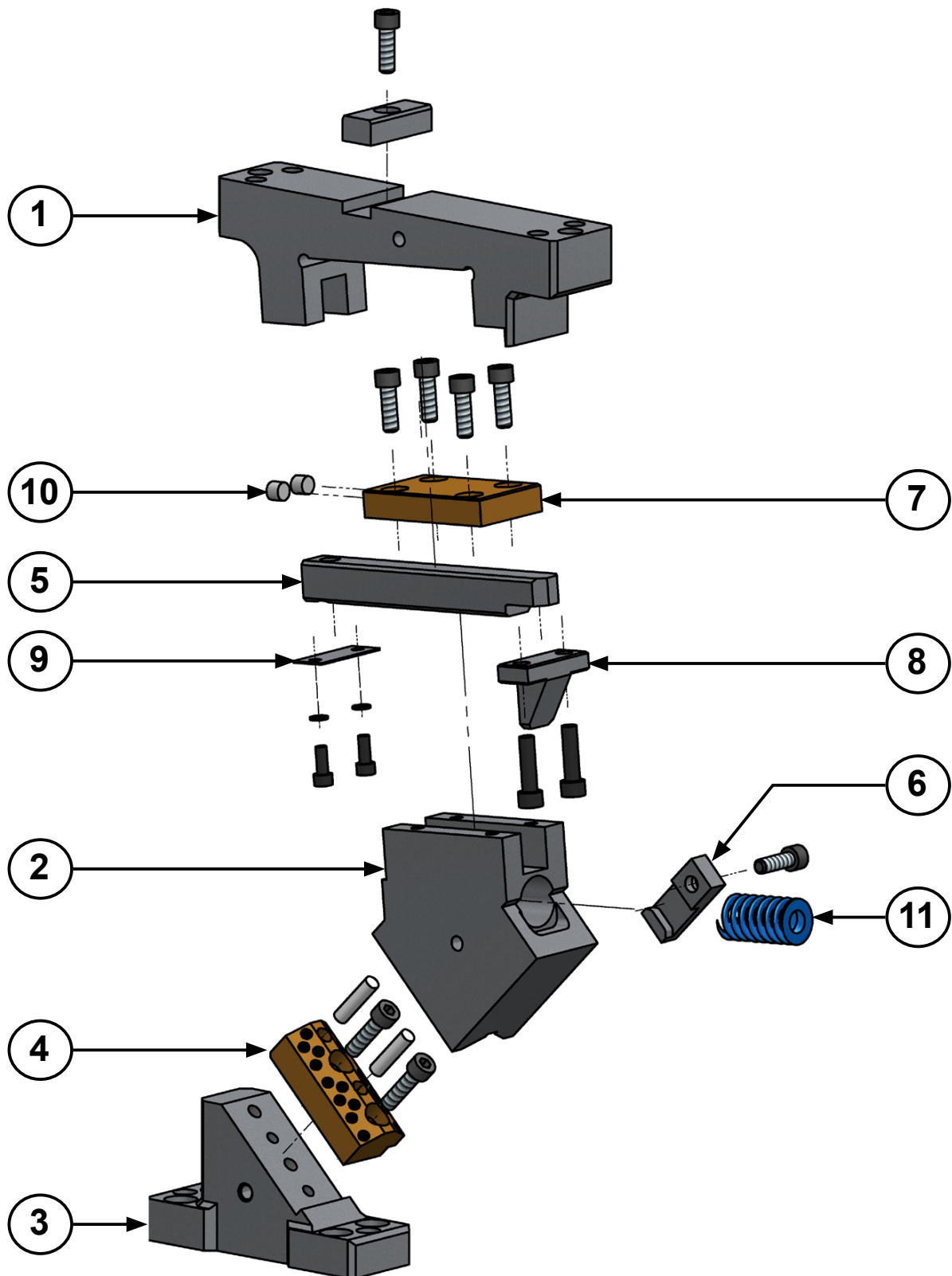


## Assembling and disassembling



# ASCB 0050

Aerial cam for pierce

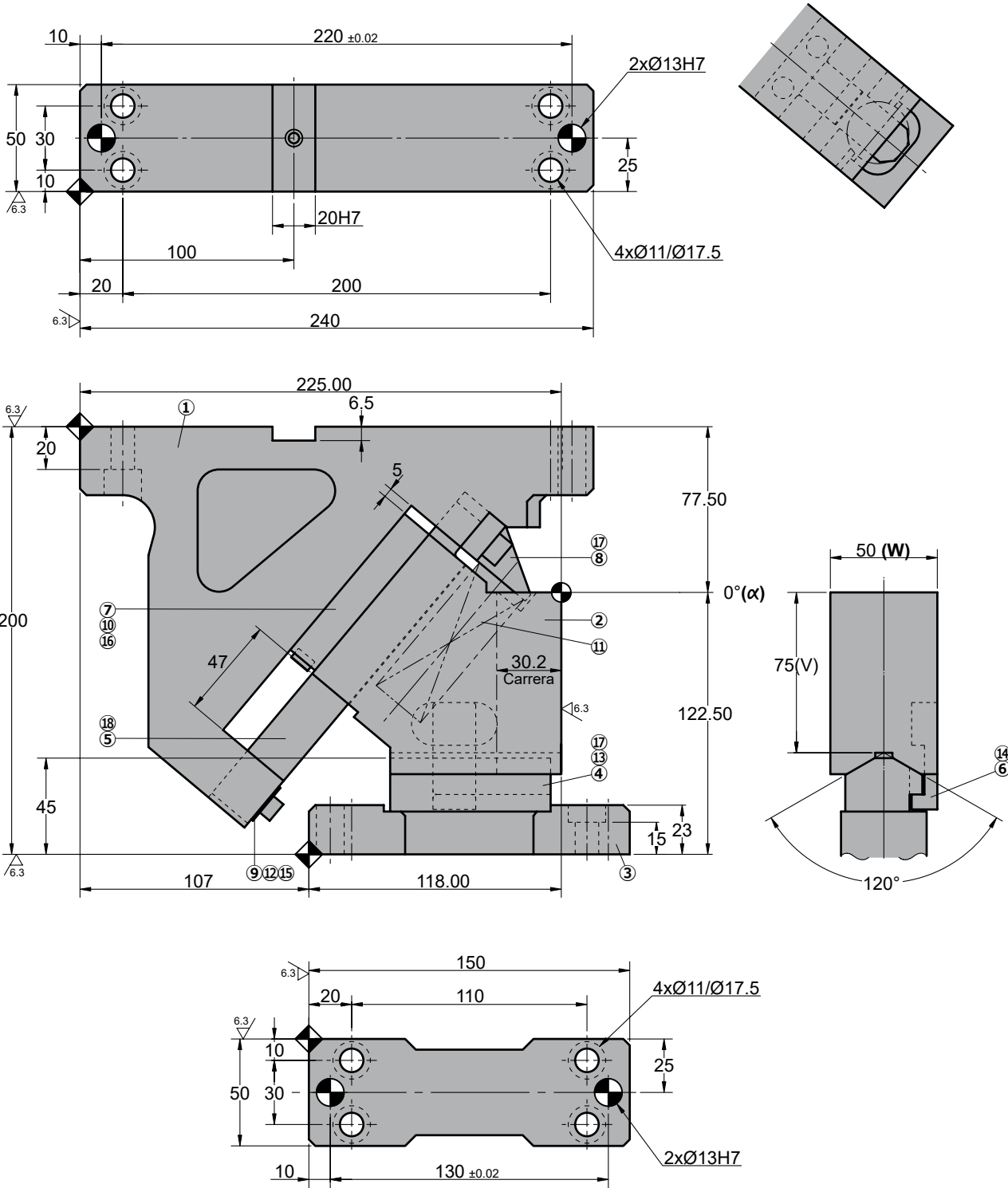


# ASCB 0050

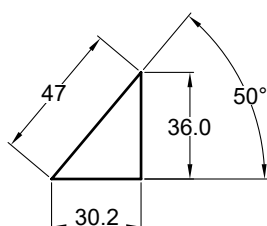
Aerial cam for pierce



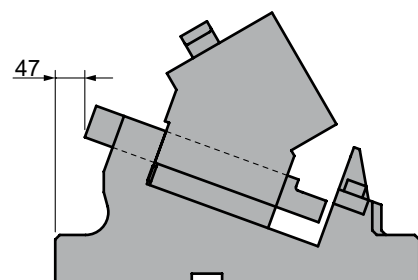
## ASCB 0050 00



### Cam diagram:



### Disassembling space:





# ASCB 0050

Aerial cam for pierce

Stroke (mm)	Working force kN - (tons)		Spring Force N - (kgf)		Weight (Kg)	Model	W (mm)	$\alpha$ (mm)
	(1 Million Strokes)	(300.000 Strokes)	Initial F <sub>0</sub>	Final F <sub>1</sub>				
30.2	19.6 (2.0)	39.2 (4.0)	58.9 (6.0)	981.0 (100.0)	12.7	<b>ASCB</b>	<b>0050</b>	<b>00</b>



Order: **Model (W) ( $\alpha$ )**  
**ASCB 0050 00**

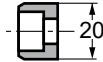
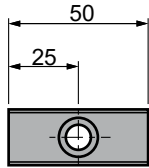
Standard order example according to catalog sheet. Add options applying options table contents.

## OPTIONS

### K

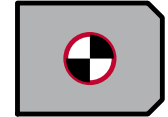
### KEY

K



1 x M8x15

### P PINS

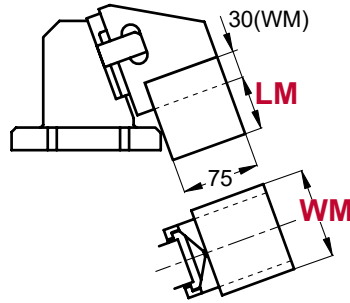


**P12 - Ø12 H7**

### LM - WM MOUNT

**LM** Extensible slider mount from 1 to 60 mm (increments of 1 mm). e.g. LM50

**WM** Mount width changed to 65mm. e.g. WM65



### Order Options: Model (W) ( $\alpha$ )-Option



**ASCB 0050 00-K**

**ASCB 0050 00-P12**

**ASCB 0050 00-WM-LM50**

**ASCB 0050 00-P12-WM-LM50-K**



### SPARE PARTS:

- ④ Cam Slider Guide
- ⑦ Upper Slide Plate
- ⑪ Coil Spring

## COMPONENTS

No.	Description	Qty.	Material
①	Cam Holder	1	GGG50
②	Cam Slider	1	GGG50
③	Cam Driver	1	GG25
④	Cam Slider Guide	1	Bronze + G
⑤	Guide Bar	1	CK45 + G
⑥	Positive Return	1	CK45
⑦	Upper Slide Plate	1	Bronze + G
⑧	Spring Stopper Block	1	CK22
⑨	Security Plate	1	CK45
⑩	Cushioning Stopper	2	Urethane
⑪	Coil Spring	1	TL27-125
⑫	Disc Spring	2	M6
⑬	Dowel Pin	4	Ø8 x 30
⑭	Screw	1	M8 x 18
⑮	Screw	2	M6 x 10

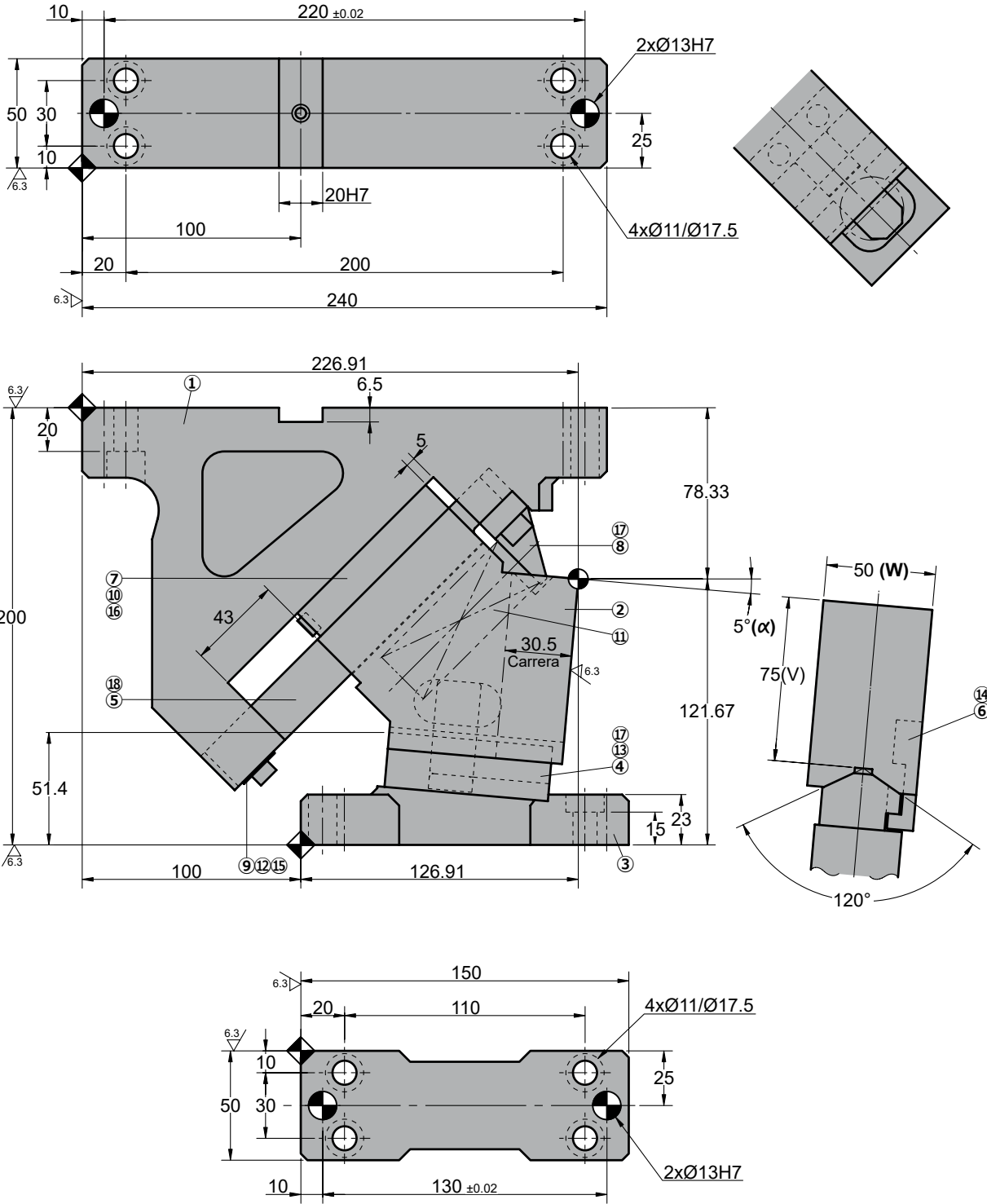
No.	Description	Qty.	Material
⑯	Screw	4	M8 x 20
⑰	Screw	4	M8 x 25
⑱	Screw	1	M10 x 35

# ASCB 0050

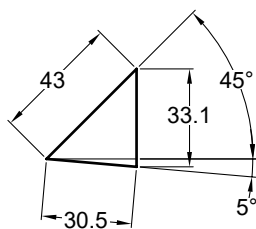
Aerial cam for pierce



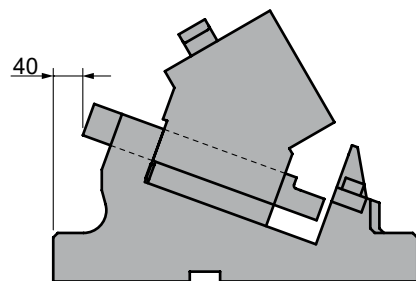
## ASCB 0050 05



Cam diagram:



Disassembling space:





# ASCB 0050

Aerial cam for pierce

Stroke (mm)	Working force kN - (tons)		Spring Force N - (kgf)		Weight (Kg)	Model	W (mm)	$\alpha$ (mm)
	(1 Million Strokes)	(300.000 Strokes)	Initial F <sub>0</sub>	Final F <sub>1</sub>				
30.5	19.6 (2.0)	39.2 (4.0)	137.3 (14.0)	981.0 (100.0)	12.3	<b>ASCB</b>	<b>0050</b>	<b>05</b>



Order: **Model (W) ( $\alpha$ )**  
**ASCB 0050 05**

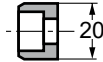
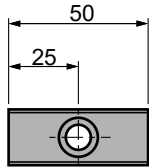
Standard order example according to catalog sheet. Add options applying options table contents.

## OPTIONS

### K

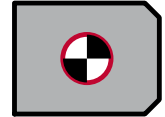
### KEY

K



1 x M8x15

### P PINS

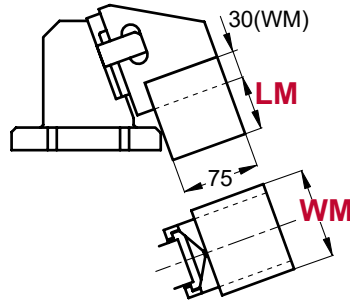


**P12 - Ø12 H7**

### LM - WM MOUNT

**LM** Extensible slider mount from 1 to 60 mm (increments of 1 mm). e.g. LM50

**WM** Mount width changed to 65mm. e.g. WM65



### Order Options: Model (W) ( $\alpha$ )-Option



**ASCB 0050 05-K**

**ASCB 0050 05-P12**

**ASCB 0050 05-WM-LM50**

**ASCB 0050 05-P12-WM-LM50-K**



### SPARE PARTS:

- ④ Cam Slider Guide
- ⑦ Upper Slide Plate
- ⑪ Coil Spring

## COMPONENTS

No.	Description	Qty.	Material
①	Cam Holder	1	GGG50
②	Cam Slider	1	GGG50
③	Cam Driver	1	GG25
④	Cam Slider Guide	1	Bronze + G
⑤	Guide Bar	1	CK45 + G
⑥	Positive Return	1	CK45
⑦	Upper Slide Plate	1	Bronze + G
⑧	Spring Stopper Block	1	CK22
⑨	Security Plate	1	CK45
⑩	Cushioning Stopper	2	Urethane
⑪	Coil Spring	1	TL27-125
⑫	Disc Spring	2	M6
⑬	Dowel Pin	4	Ø8 x 30
⑭	Screw	1	M8 x 18
⑮	Screw	2	M6 x 10

No.	Description	Qty.	Material
⑯	Screw	4	M8 x 20
⑰	Screw	4	M8 x 25
⑱	Screw	1	M10 x 35

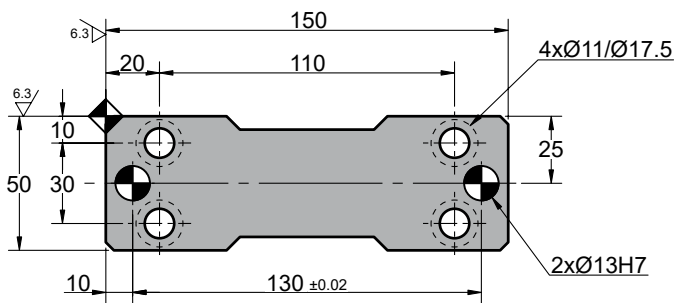
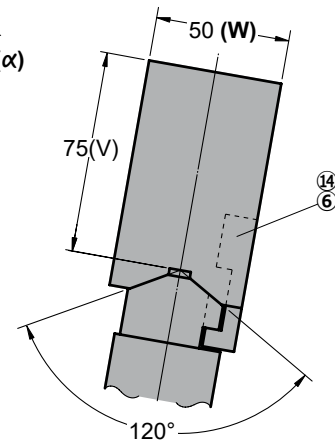
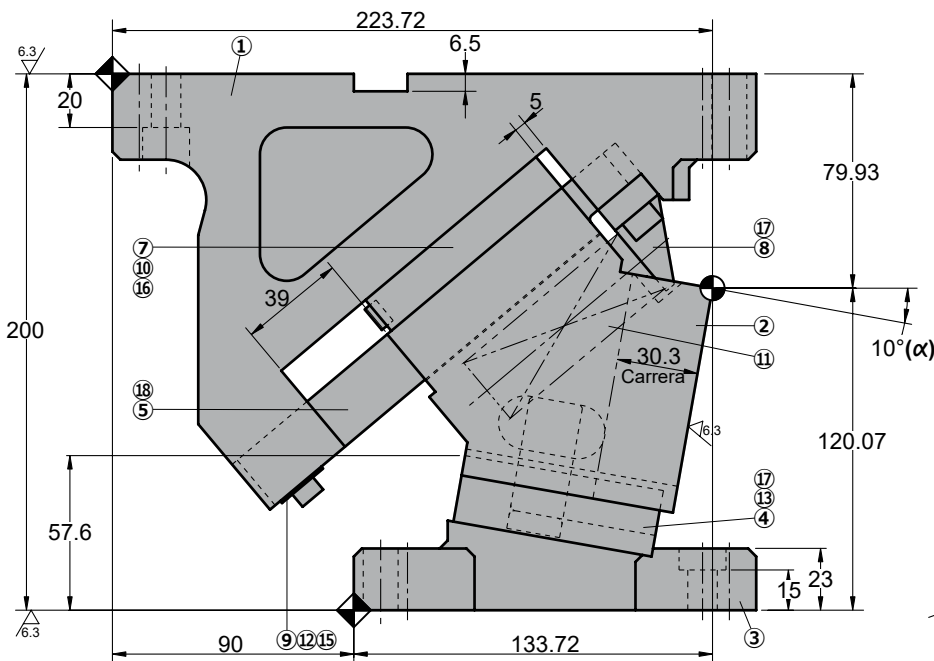
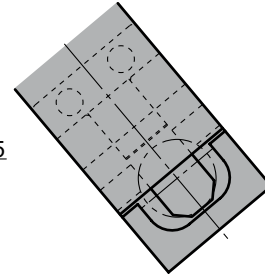
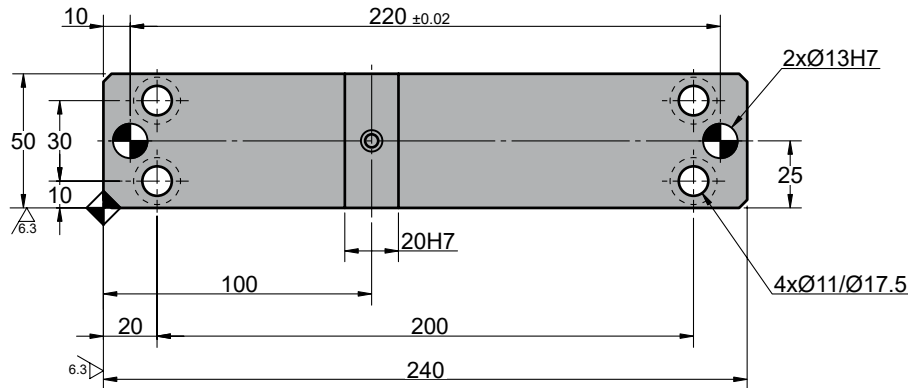


# ASCB 0050

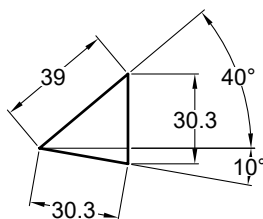
Aerial cam for pierce



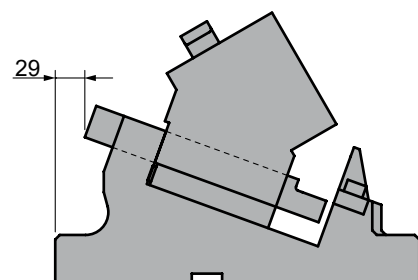
## ASCB 0050 10



### Cam diagram:



### Disassembling space:





# ASCB 0050

Aerial cam for pierce

Stroke (mm)	Working force kN - (tons)		Spring Force N - (kgf)		Weight (Kg)	Model	W (mm)	$\alpha$ (mm)
	(1 Million Strokes)	(300.000 Strokes)	Initial F <sub>0</sub>	Final F <sub>1</sub>				
30.3	19.6 (2.0)	39.2 (4.0)	215.8 (22.0)	981.0 (100.0)	11.8	<b>ASCB</b>	<b>0050</b>	<b>10</b>



Order: **Model** **(W)** **( $\alpha$ )**  
**ASCB 0050 10**

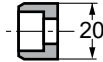
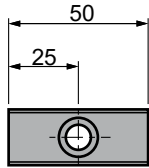
Standard order example according to catalog sheet. Add options applying options table contents.

## OPTIONS

### K

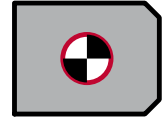
### KEY

K



1 x M8x15

### P PINS

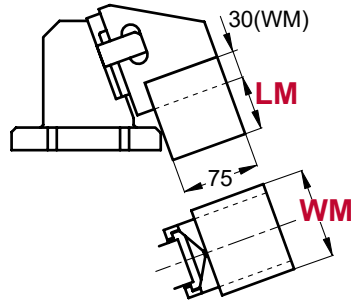


**P12 - Ø12 H7**

### LM - WM MOUNT

**LM** Extensible slider mount from 1 to 60 mm (increments of 1 mm). e.g. LM50

**WM** Mount width changed to 65mm. e.g. WM65



### Order Options: Model (W) ( $\alpha$ )-Option



**ASCB 0050 10-K**

**ASCB 0050 10-P12**

**ASCB 0050 10-WM-LM50**

**ASCB 0050 10-P12-WM-LM50-K**



### SPARE PARTS:

- ④ Cam Slider Guide
- ⑦ Upper Slide Plate
- ⑪ Coil Spring

## COMPONENTS

No.	Description	Qty.	Material
①	Cam Holder	1	GGG50
②	Cam Slider	1	GGG50
③	Cam Driver	1	GG25
④	Cam Slider Guide	1	Bronze + G
⑤	Guide Bar	1	CK45 + G
⑥	Positive Return	1	CK45
⑦	Upper Slide Plate	1	Bronze + G
⑧	Spring Stopper Block	1	CK22
⑨	Security Plate	1	CK45
⑩	Cushioning Stopper	2	Urethane
⑪	Coil Spring	1	TL27-125
⑫	Disc Spring	2	M6
⑬	Dowel Pin	4	Ø8 x 30
⑭	Screw	1	M8 x 18
⑮	Screw	2	M6 x 10

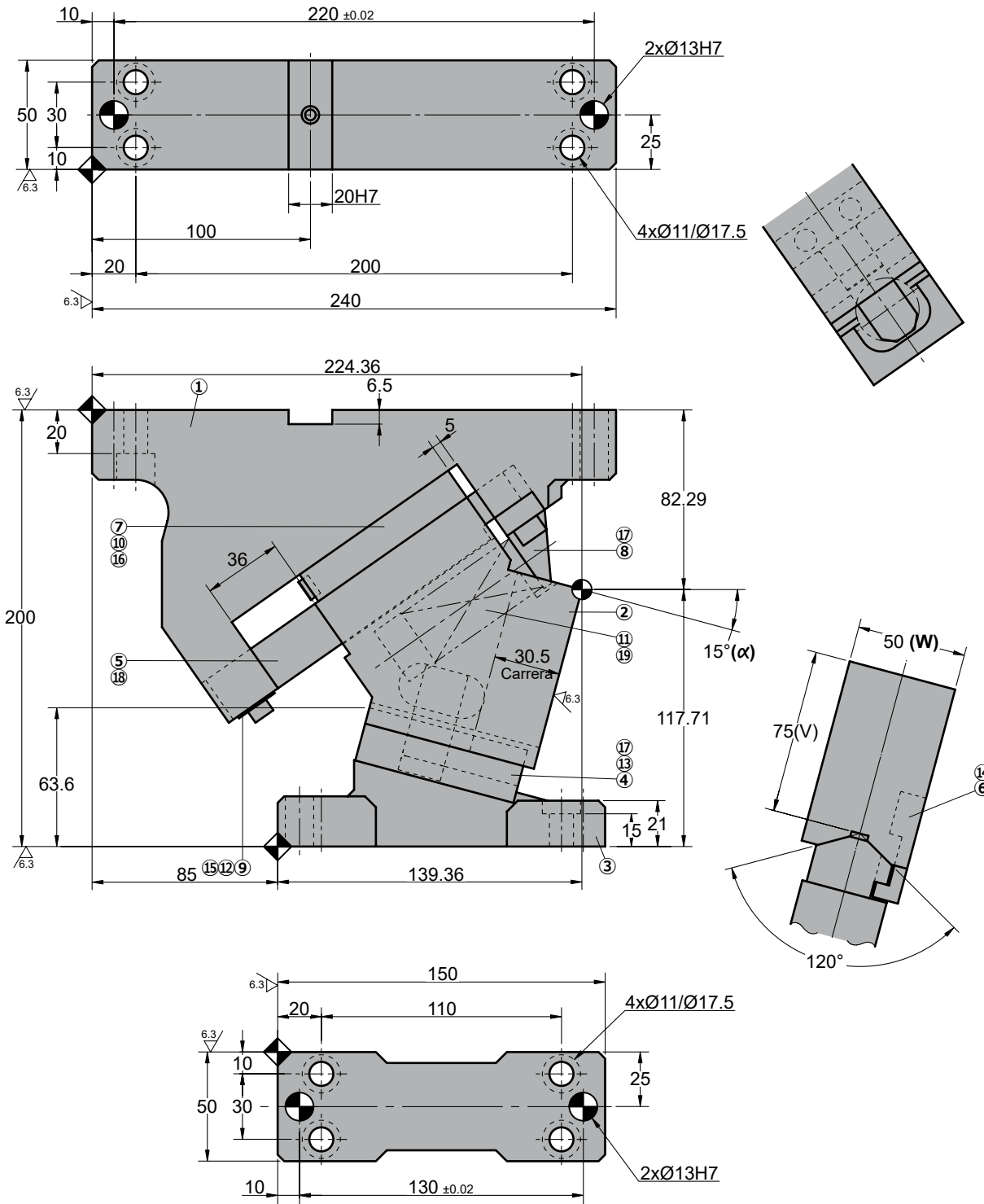
No.	Description	Qty.	Material
⑯	Screw	4	M8 x 20
⑰	Screw	4	M8 x 25
⑱	Screw	1	M10 x 35

# ASCB 0050

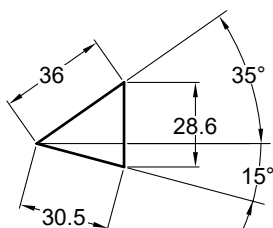
Aerial cam for pierce



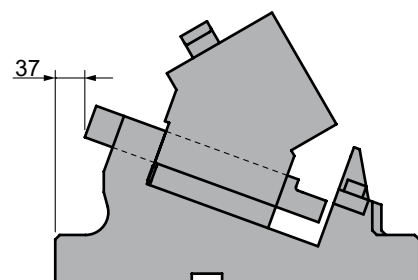
## ASCB 0050 15



### Cam diagram:



### Disassembling space:





# ASCB 0050

Aerial cam for pierce

Stroke (mm)	Working force kN - (tons)		Spring Force N - (kgf)		Weight (Kg)	Model	W (mm)	$\alpha$ (mm)
	(1 Million Strokes)	(300.000 Strokes)	Initial F <sub>0</sub>	Final F <sub>1</sub>				
30.5	19.6 (2.0)	39.2 (4.0)	98.1 (10.0)	981.2 (100.1)	11.8	<b>ASCB</b>	<b>0050</b>	<b>15</b>



Order: **Model** **(W)** **( $\alpha$ )**  
**ASCB 0050 15**

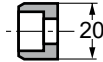
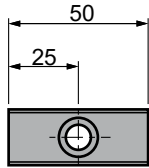
Standard order example according to catalog sheet. Add options applying options table contents.

## OPTIONS

### K

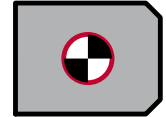
### KEY

K



1 x M8x15

### P PINS

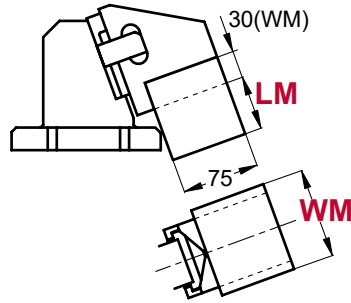


**P12 - Ø12 H7**

### LM - WM MOUNT

**LM** Extensible slider mount from 1 to 60 mm (increments of 1 mm). e.g. LM50

**WM** Mount width changed to 65mm. e.g. WM65



### Order Options: Model (W) ( $\alpha$ )-Option



**ASCB 0050 15-K**

**ASCB 0050 15-P12**

**ASCB 0050 15-WM-LM50**

**ASCB 0050 15-P12-WM-LM50-K**



### SPARE PARTS:

- ④ Cam Slider Guide
- ⑦ Upper Slide Plate
- ⑪ Coil Spring

## COMPONENTS

No.	Description	Qty.	Material
①	Cam Holder	1	GGG50
②	Cam Slider	1	GGG50
③	Cam Driver	1	GG25
④	Cam Slider Guide	1	Bronze + G
⑤	Guide Bar	1	CK45 + G
⑥	Positive Return	1	CK45
⑦	Upper Slide Plate	1	Bronze + G
⑧	Spring Stopper Block	1	CK22
⑨	Security Plate	1	CK45
⑩	Cushioning Stopper	2	Urethane
⑪	Coil Spring	1	TL27-100
⑫	Disc Spring	2	M6
⑬	Dowel Pin	4	Ø8 x 30
⑭	Screw	1	M8 x 18
⑮	Screw	2	M6 x 10

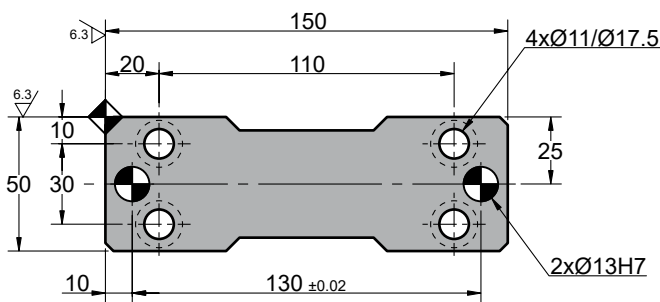
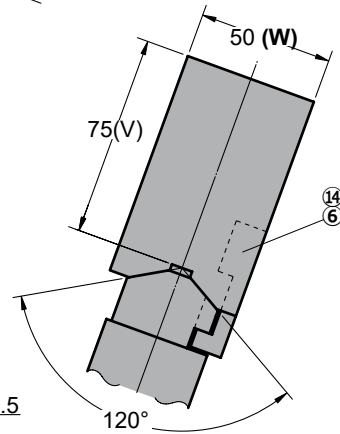
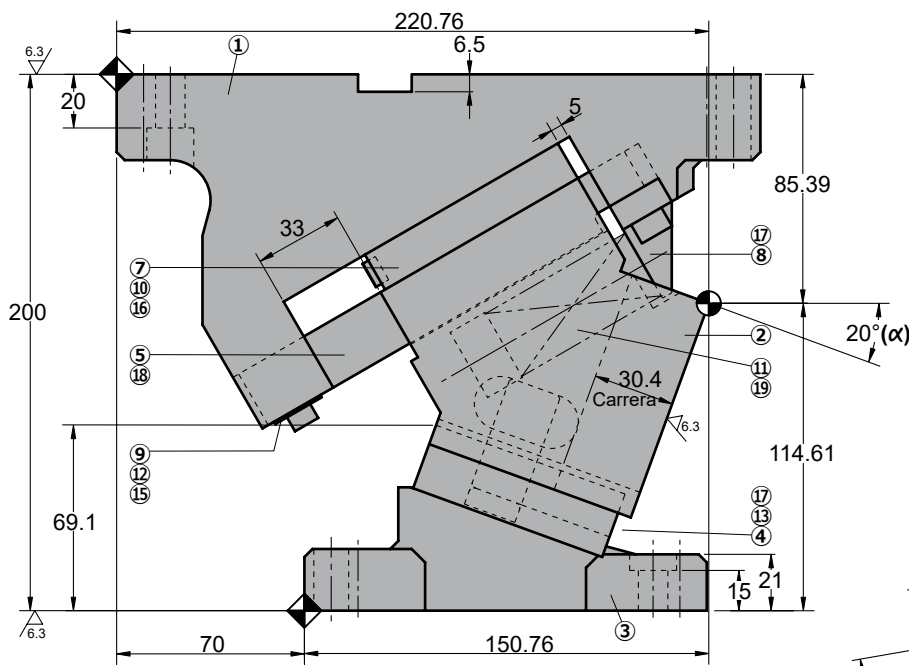
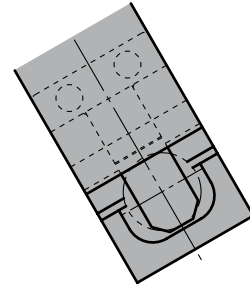
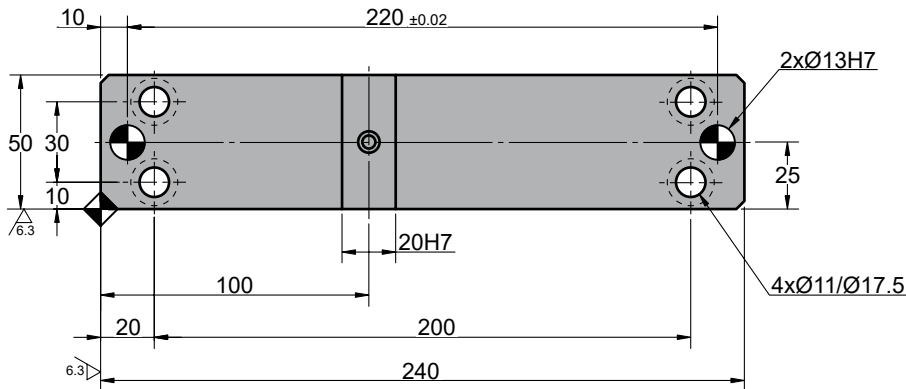
No.	Description	Qty.	Material
⑯	Screw	4	M8 x 20
⑰	Screw	4	M8 x 25
⑱	Screw	1	M10 x 35
⑲	Espaciador	1	CK45

# ASCB 0050

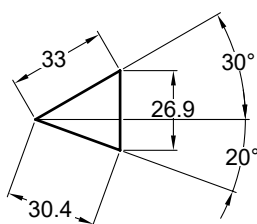
Aerial cam for pierce



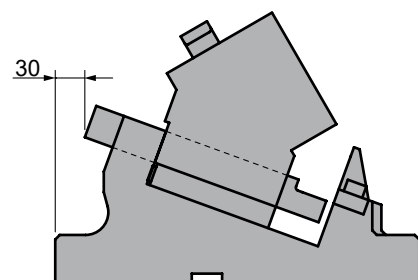
## ASCB 0050 20



◦Cam diagram:



◦Disassembling space:





# ASCB 0050

Aerial cam for pierce

Stroke (mm)	Working force kN - (tons)		Spring Force N - (kgf)		Weight (Kg)	Model	W (mm)	$\alpha$ (mm)
	(1 Million Strokes)	(300.000 Strokes)	Initial F <sub>0</sub>	Final F <sub>1</sub>				
30.4	19.6 (2.0)	39.2 (4.0)	171.7 (17.5)	981.2 (100.1)	11.5	<b>ASCB</b>	<b>0050</b>	<b>20</b>



Order: Model (W) ( $\alpha$ )

**ASCB 0050 20**

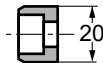
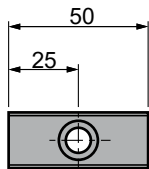
Standard order example according to catalog sheet. Add options applying options table contents.

## OPTIONS

**K**

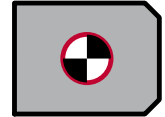
**KEY**

**K**



1 x M8x15

**P PINS**

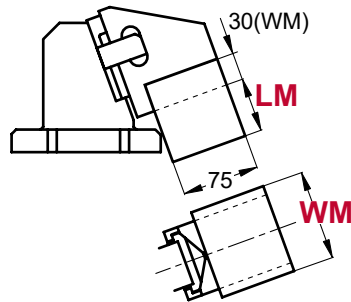


**P12 - Ø12 H7**

## LM - WM MOUNT

**LM** Extensible slider mount from 1 to 60 mm (increments of 1 mm). e.g. LM50

**WM** Mount width changed to 65mm. e.g. WM65



Order Options: Model (W) ( $\alpha$ )-Option



**ASCB 0050 20-K**

**ASCB 0050 20-P12**

**ASCB 0050 20-WM-LM50**

**ASCB 0050 20-P12-WM-LM50-K**



**SPARE PARTS:**

- ④ Cam Slider Guide
- ⑦ Upper Slide Plate
- ⑪ Coil Spring

## COMPONENTS

No.	Description	Qty.	Material
①	Cam Holder	1	GGG50
②	Cam Slider	1	GGG50
③	Cam Driver	1	GG25
④	Cam Slider Guide	1	Bronze + G
⑤	Guide Bar	1	CK45 + G
⑥	Positive Return	1	CK45
⑦	Upper Slide Plate	1	Bronze + G
⑧	Spring Stopper Block	1	CK22
⑨	Security Plate	1	CK45
⑩	Cushioning Stopper	2	Urethane
⑪	Coil Spring	1	TL27-100
⑫	Disc Spring	2	M6
⑬	Dowel Pin	4	Ø8 x 30
⑭	Screw	1	M8 x 18
⑮	Screw	2	M6 x 10

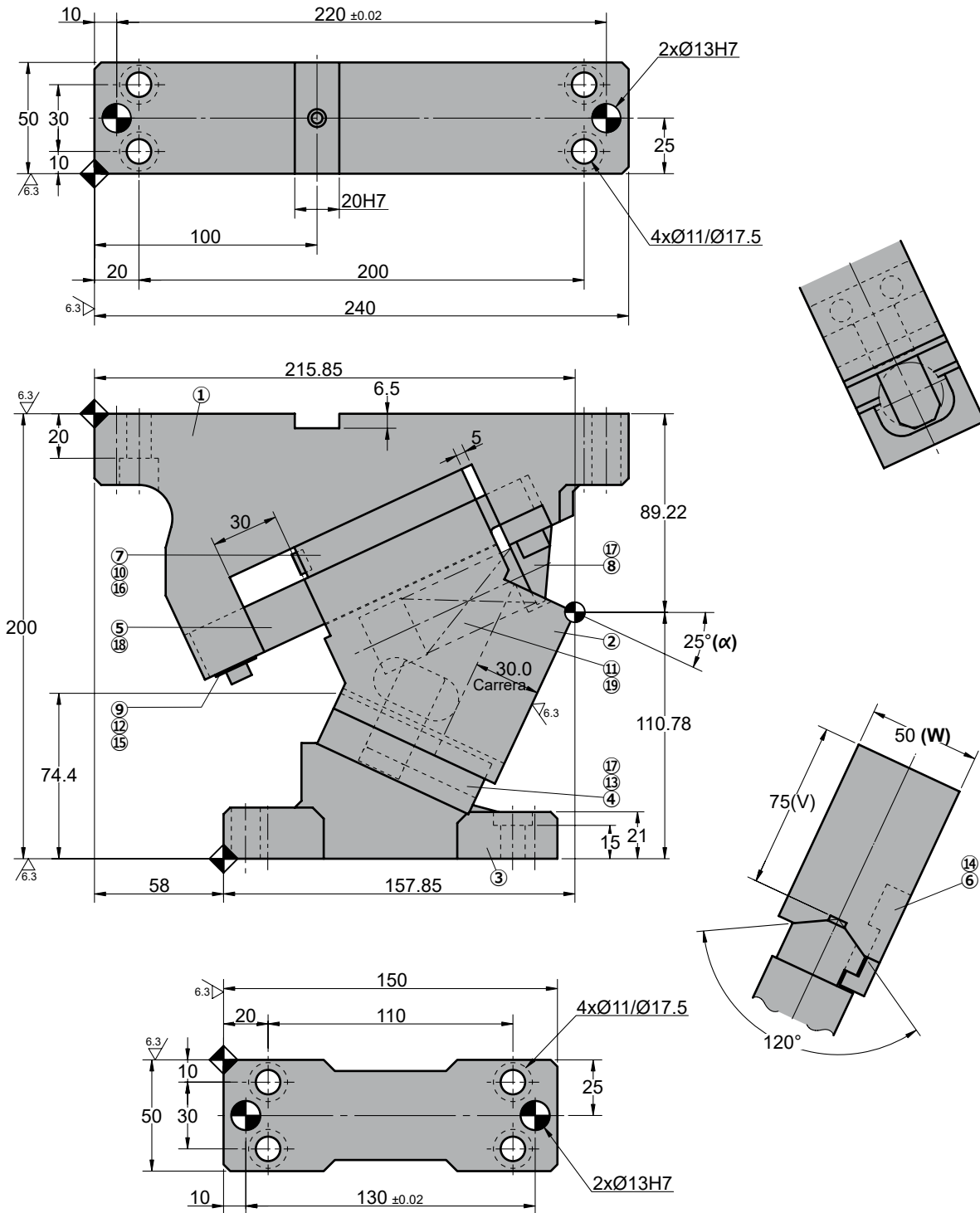
No.	Description	Qty.	Material
⑯	Screw	4	M8 x 20
⑰	Screw	4	M8 x 25
⑱	Screw	1	M10 x 35
⑲	Espaciador	1	CK45

# ASCB 0050

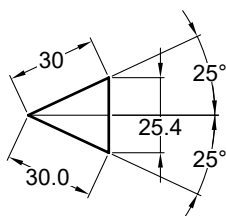
Aerial cam for pierce



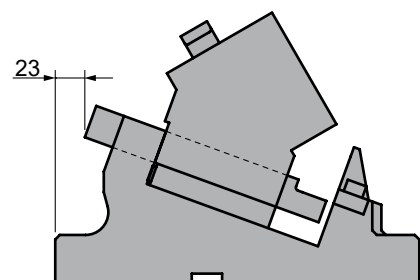
## ASCB 0050 25



### ◦Cam diagram:



### ◦Disassembling space:







# ASCB 0050

Aerial cam for pierce

Stroke (mm)	Working force kN - (tons)		Spring Force N - (kgf)		Weight (Kg)	Model	W (mm)	$\alpha$ (mm)
	(1 Million Strokes)	(300.000 Strokes)	Initial F <sub>0</sub>	Final F <sub>1</sub>				
30.0	19.6 (2.0)	39.2 (4.0)	163.5 (16.7)	981.0 (100.0)	11.3	<b>ASCB</b>	<b>0050</b>	<b>25</b>



Order: **Model (W) ( $\alpha$ )**  
**ASCB 0050 25**

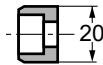
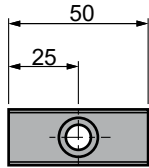
Standard order example according to catalog sheet. Add options applying options table contents.

## OPTIONS

### K

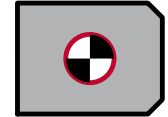
### KEY

K



1 x M8x15

### P PINS

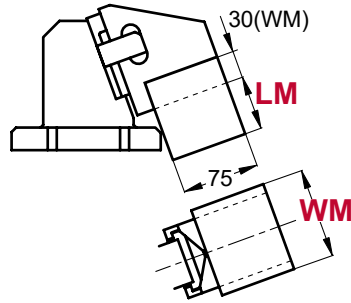


**P12 - Ø12 H7**

### LM - WM MOUNT

**LM** Extensible slider mount from 1 to 60 mm (increments of 1 mm). e.g. LM50

**WM** Mount width changed to 65mm. e.g. WM65



### Order Options: Model (W) ( $\alpha$ )-Option



**ASCB 0050 25-K**

**ASCB 0050 25-P12**

**ASCB 0050 25-WM-LM50**

**ASCB 0050 25-P12-WM-LM50-K**



### SPARE PARTS:

- ④ Cam Slider Guide
- ⑦ Upper Slide Plate
- ⑪ Coil Spring

## COMPONENTS

No.	Description	Qty.	Material
①	Cam Holder	1	GGG50
②	Cam Slider	1	GGG50
③	Cam Driver	1	GG25
④	Cam Slider Guide	1	Bronze + G
⑤	Guide Bar	1	CK45 + G
⑥	Positive Return	1	CK45
⑦	Upper Slide Plate	1	Bronze + G
⑧	Spring Stopper Block	1	CK22
⑨	Security Plate	1	CK45
⑩	Cushioning Stopper	2	Urethane
⑪	Coil Spring	1	TL27-90
⑫	Disc Spring	2	M6
⑬	Dowel Pin	4	Ø8 x 30
⑭	Screw	1	M8 x 18
⑮	Screw	2	M6 x 10

No.	Description	Qty.	Material
⑯	Screw	4	M8 x 20
⑰	Screw	4	M8 x 25
⑱	Screw	1	M10 x 35
⑲	Espaciador	1	CK45

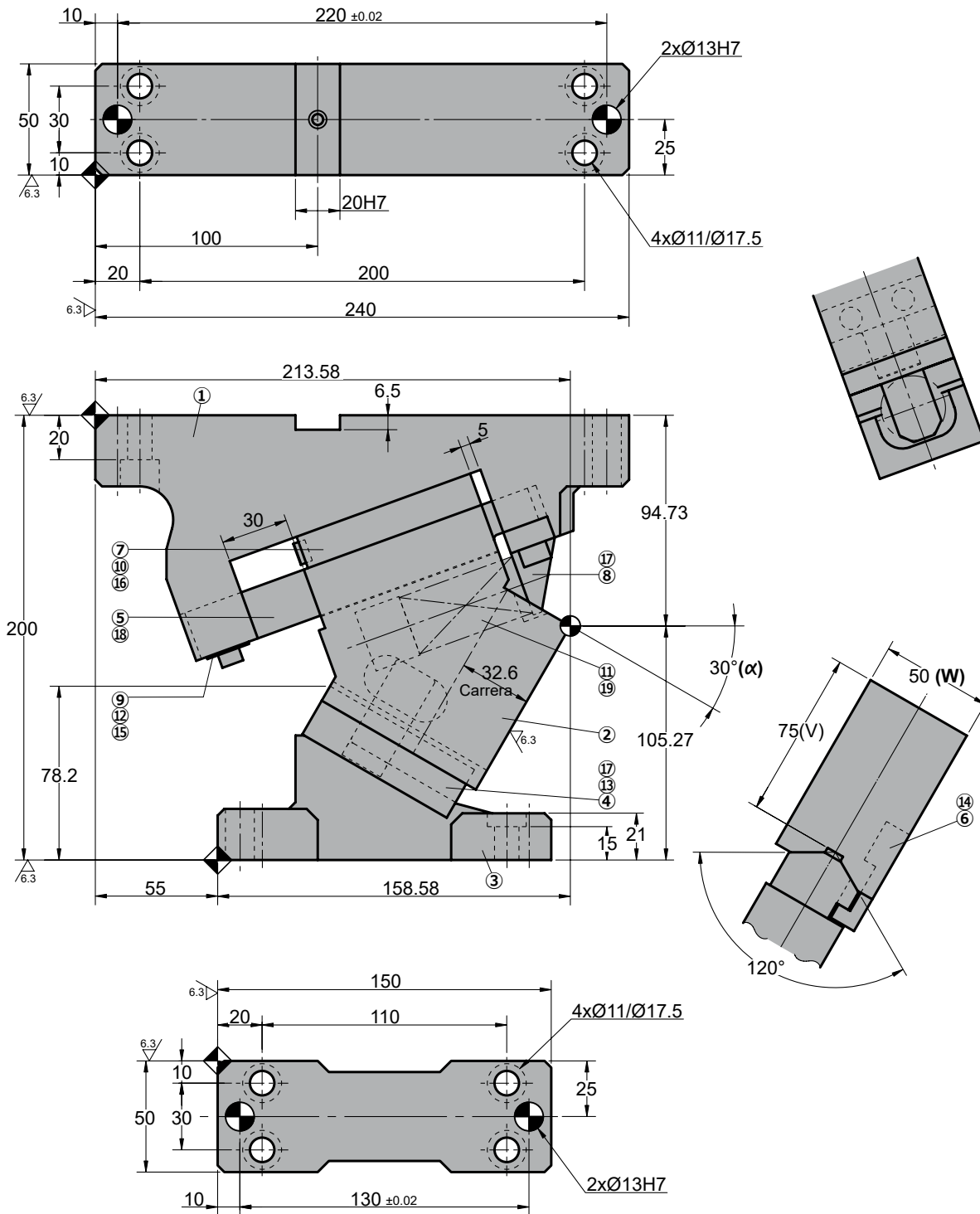


# ASCB 0050

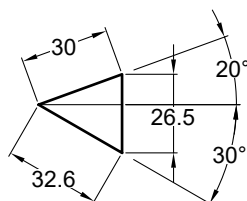
Aerial cam for pierce



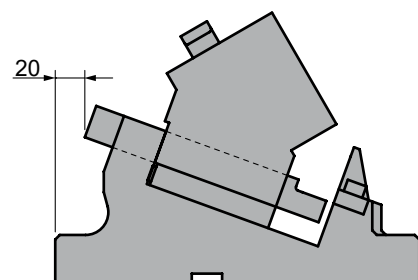
## ASCB 0050 30



### Cam diagram:



### Disassembling space:





# ASCB 0050

Aerial cam for pierce

Stroke (mm)	Working force kN - (tons)		Spring Force N - (kgf)		Weight (Kg)	Model	W (mm)	$\alpha$ (mm)
	(1 Million Strokes)	(300.000 Strokes)	Initial F <sub>0</sub>	Final F <sub>1</sub>				
32.6	19.6 (2.0)	39.2 (4.0)	163.5 (16.7)	981.0 (100.0)	11.1	<b>ASCB</b>	<b>0050</b>	<b>30</b>



Order: **Model (W) ( $\alpha$ )**  
**ASCB 0050 30**

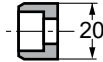
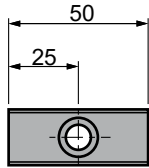
Standard order example according to catalog sheet. Add options applying options table contents.

## OPTIONS

### K

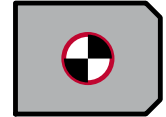
### KEY

K



1 x M8x15

### P PINS

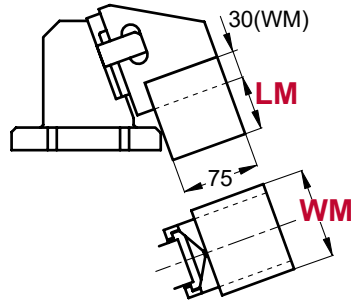


**P12 - Ø12 H7**

### LM - WM MOUNT

**LM** Extensible slider mount from 1 to 60 mm (increments of 1 mm). e.g. LM50

**WM** Mount width changed to 65mm. e.g. WM65



### Order Options: Model (W) ( $\alpha$ )-Option



**ASCB 0050 30-K**

**ASCB 0050 30-P12**

**ASCB 0050 30-WM-LM50**

**ASCB 0050 30-P12-WM-LM50-K**



### SPARE PARTS:

- ④ Cam Slider Guide
- ⑦ Upper Slide Plate
- ⑪ Coil Spring

## COMPONENTS

No.	Description	Qty.	Material
①	Cam Holder	1	GGG50
②	Cam Slider	1	GGG50
③	Cam Driver	1	GG25
④	Cam Slider Guide	1	Bronze + G
⑤	Guide Bar	1	CK45 + G
⑥	Positive Return	1	CK45
⑦	Upper Slide Plate	1	Bronze + G
⑧	Spring Stopper Block	1	CK22
⑨	Security Plate	1	CK45
⑩	Cushioning Stopper	2	Urethane
⑪	Coil Spring	1	TL27-90
⑫	Disc Spring	2	M6
⑬	Dowel Pin	4	Ø8 x 30
⑭	Screw	1	M8 x 18
⑮	Screw	2	M6 x 10

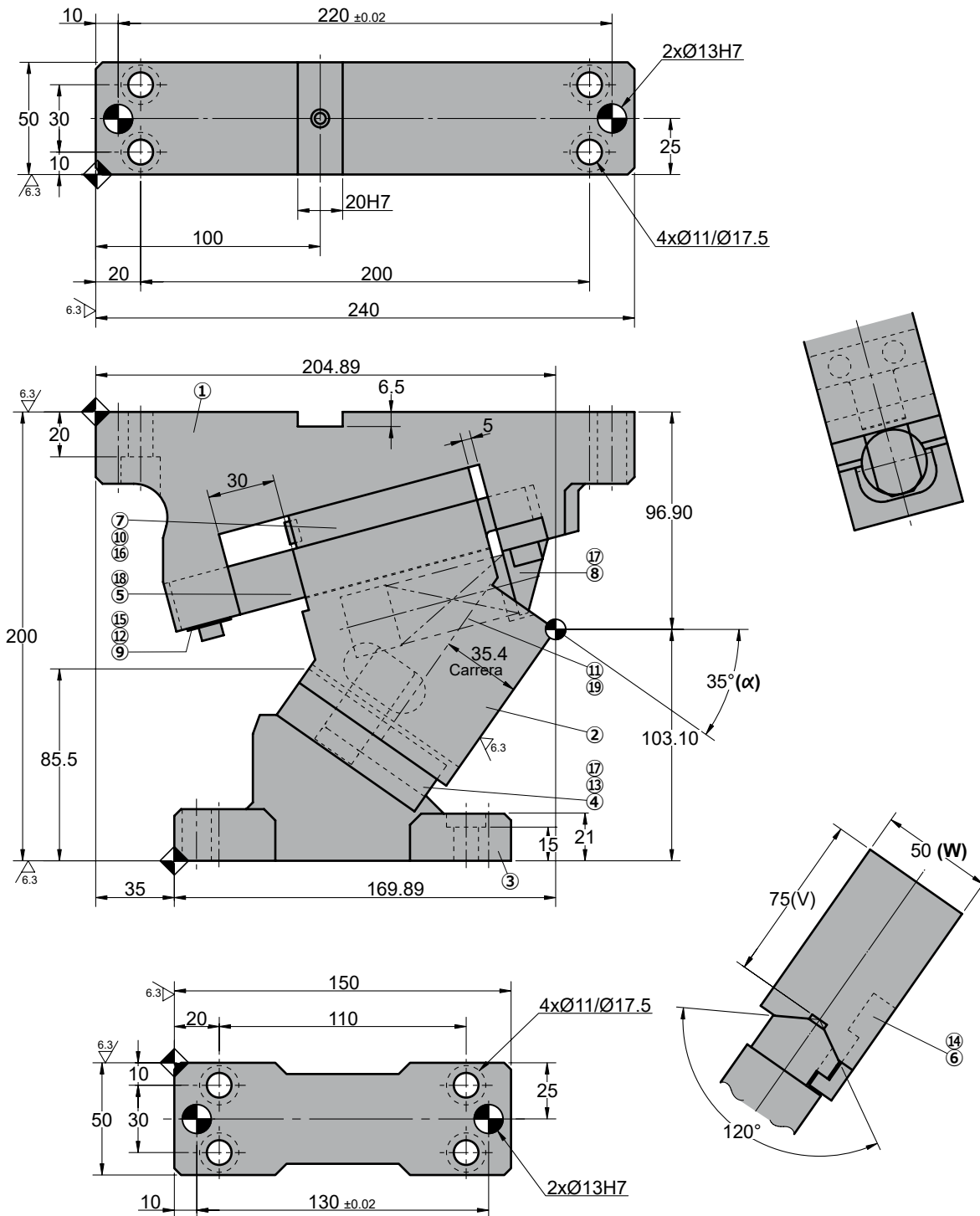
No.	Description	Qty.	Material
⑯	Screw	4	M8 x 20
⑰	Screw	4	M8 x 25
⑱	Screw	1	M10 x 35
⑲	Espaciador	1	CK45

# ASCB 0050

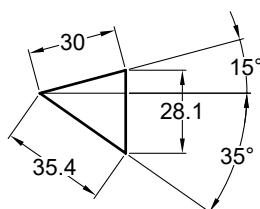
Aerial cam for pierce



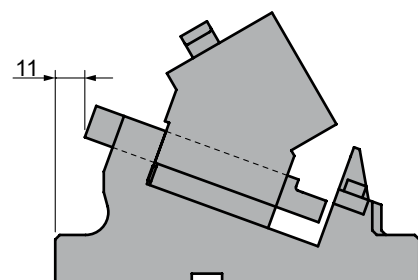
## ASCB 0050 35



### ◦Cam diagram:



### ◦Disassembling space:





# ASCB 0050

Aerial cam for pierce

Stroke (mm)	Working force kN - (tons)		Spring Force N - (kgf)		Weight (Kg)	Model	W (mm)	$\alpha$ (mm)
	(1 Million Strokes)	(300.000 Strokes)	Initial F <sub>0</sub>	Final F <sub>1</sub>				
35.4	19.6 (2.0)	39.2 (4.0)	163.5 (16.7)	981.0 (100.0)	10.9	<b>ASCB</b>	<b>0050</b>	<b>35</b>



Order: **Model (W) ( $\alpha$ )**  
**ASCB 0050 35**

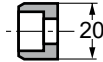
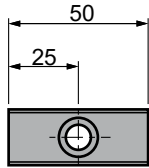
Standard order example according to catalog sheet. Add options applying options table contents.

## OPTIONS

### K

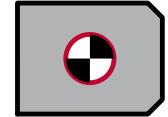
### KEY

K



1 x M8x15

### P PINS

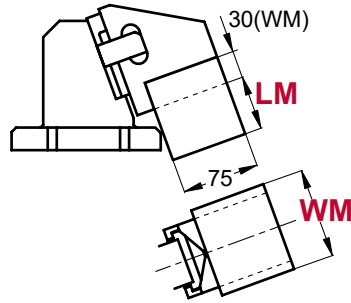


**P12 - Ø12 H7**

### LM - WM MOUNT

**LM** Extensible slider mount from 1 to 60 mm (increments of 1 mm). e.g. LM50

**WM** Mount width changed to 65mm. e.g. WM65



### Order Options: Model (W) ( $\alpha$ )-Option



**ASCB 0050 35-K**

**ASCB 0050 35-P12**

**ASCB 0050 35-WM-LM50**

**ASCB 0050 35-P12-WM-LM50-K**



### SPARE PARTS:

- ④ Cam Slider Guide
- ⑦ Upper Slide Plate
- ⑪ Coil Spring

## COMPONENTS

No.	Description	Qty.	Material
①	Cam Holder	1	GGG50
②	Cam Slider	1	GGG50
③	Cam Driver	1	GG25
④	Cam Slider Guide	1	Bronze + G
⑤	Guide Bar	1	CK45 + G
⑥	Positive Return	1	CK45
⑦	Upper Slide Plate	1	Bronze + G
⑧	Spring Stopper Block	1	CK22
⑨	Security Plate	1	CK45
⑩	Cushioning Stopper	2	Urethane
⑪	Coil Spring	1	TL27-90
⑫	Disc Spring	2	M6
⑬	Dowel Pin	4	Ø8 x 30
⑭	Screw	1	M8 x 18
⑮	Screw	2	M6 x 10

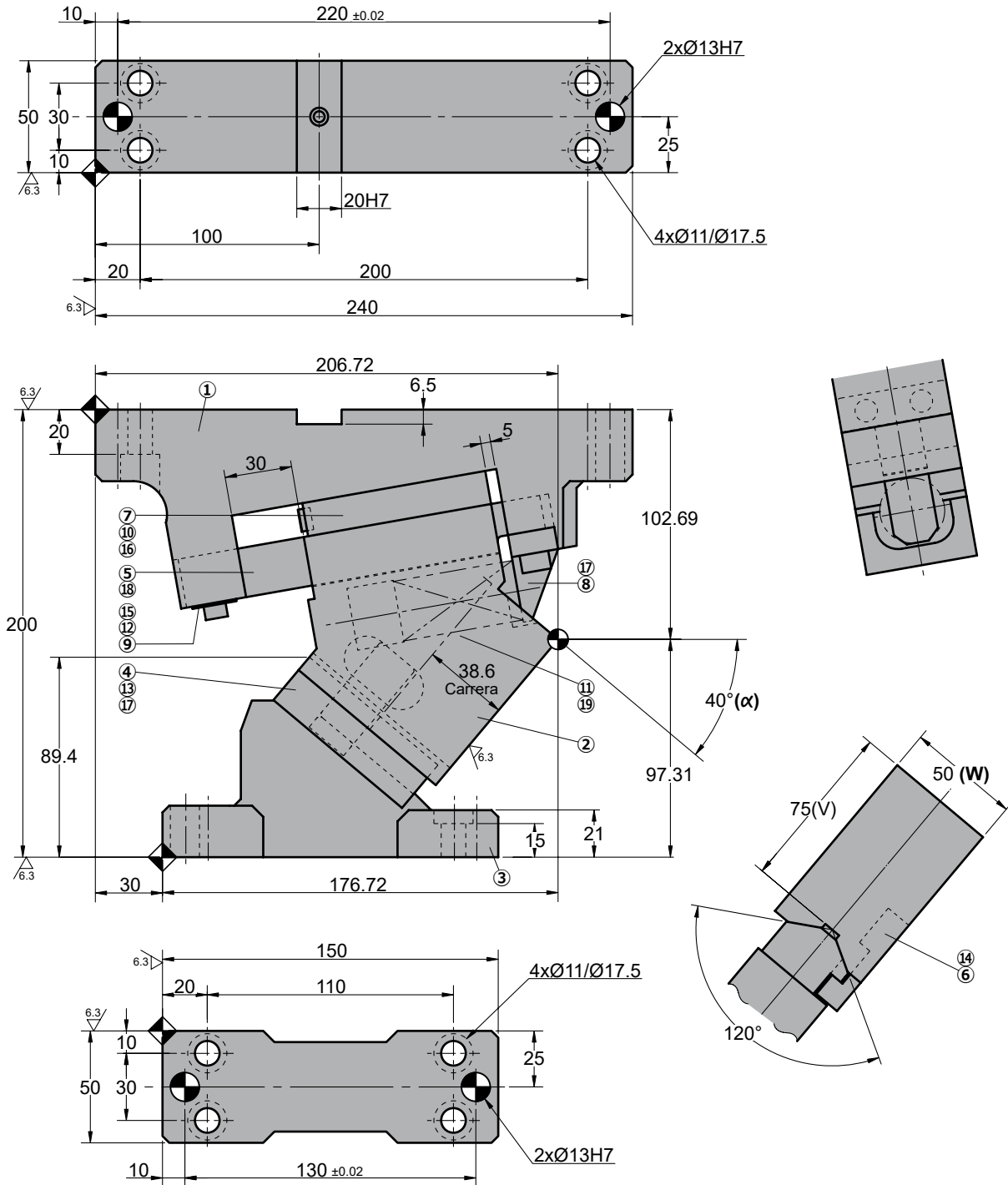
No.	Description	Qty.	Material
⑯	Screw	4	M8 x 20
⑰	Screw	4	M8 x 25
⑱	Screw	1	M10 x 35
⑲	Espaciador	1	CK45

# ASCB 0050

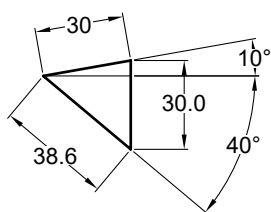
Aerial cam for pierce



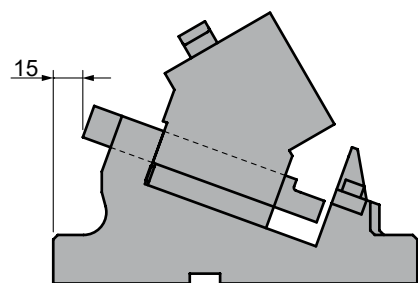
## ASCB 0050 40



◦Cam diagram:



◦Disassembling space:





# ASCB 0050

Aerial cam for pierce

Stroke (mm)	Working force kN - (tons)		Spring Force N - (kgf)		Weight (Kg)	Model	W (mm)	$\alpha$ (mm)
	(1 Million Strokes)	(300.000 Strokes)	Initial F <sub>0</sub>	Final F <sub>1</sub>				
38.6	19.6 (2.0)	39.2 (4.0)	163.5 (16.7)	981.0 (100.0)	10.9	<b>ASCB</b>	<b>0050</b>	<b>40</b>



Order: **Model (W) ( $\alpha$ )**  
**ASCB 0050 40**

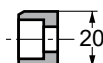
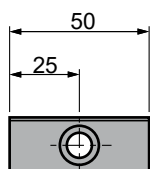
Standard order example according to catalog sheet. Add options applying options table contents.

## OPTIONS

### K

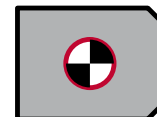
### KEY

K



1 x M8x15

### P PINS

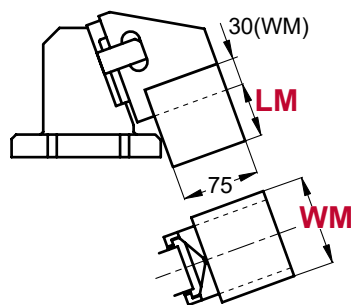


**P12 - Ø12 H7**

### LM - WM MOUNT

**LM** Extensible slider mount from 1 to 60 mm (increments of 1 mm). e.g. LM50

**WM** Mount width changed to 65mm. e.g. WM65



### Order Options: Model (W) ( $\alpha$ )-Option



**ASCB 0050 40-K**

**ASCB 0050 40-P12**

**ASCB 0050 40-WM-LM50**

**ASCB 0050 40-P12-WM-LM50-K**



### SPARE PARTS:

- ④ Cam Slider Guide
- ⑦ Upper Slide Plate
- ⑪ Coil Spring

## COMPONENTS

No.	Description	Qty.	Material
①	Cam Holder	1	GGG50
②	Cam Slider	1	GGG50
③	Cam Driver	1	GG25
④	Cam Slider Guide	1	Broze + G
⑤	Guide Bar	1	CK45 + G
⑥	Positive Return	1	CK45
⑦	Upper Slide Plate	1	Bronze + G
⑧	Spring Stopper Block	1	CK22
⑨	Security Plate	1	CK45
⑩	Cushioning Stopper	2	Urethane
⑪	Coil Spring	1	TL27-90
⑫	Disc Spring	2	M6
⑬	Dowel Pin	4	Ø8 x 30
⑭	Screw	1	M8 x 18
⑮	Screw	2	M6 x 10

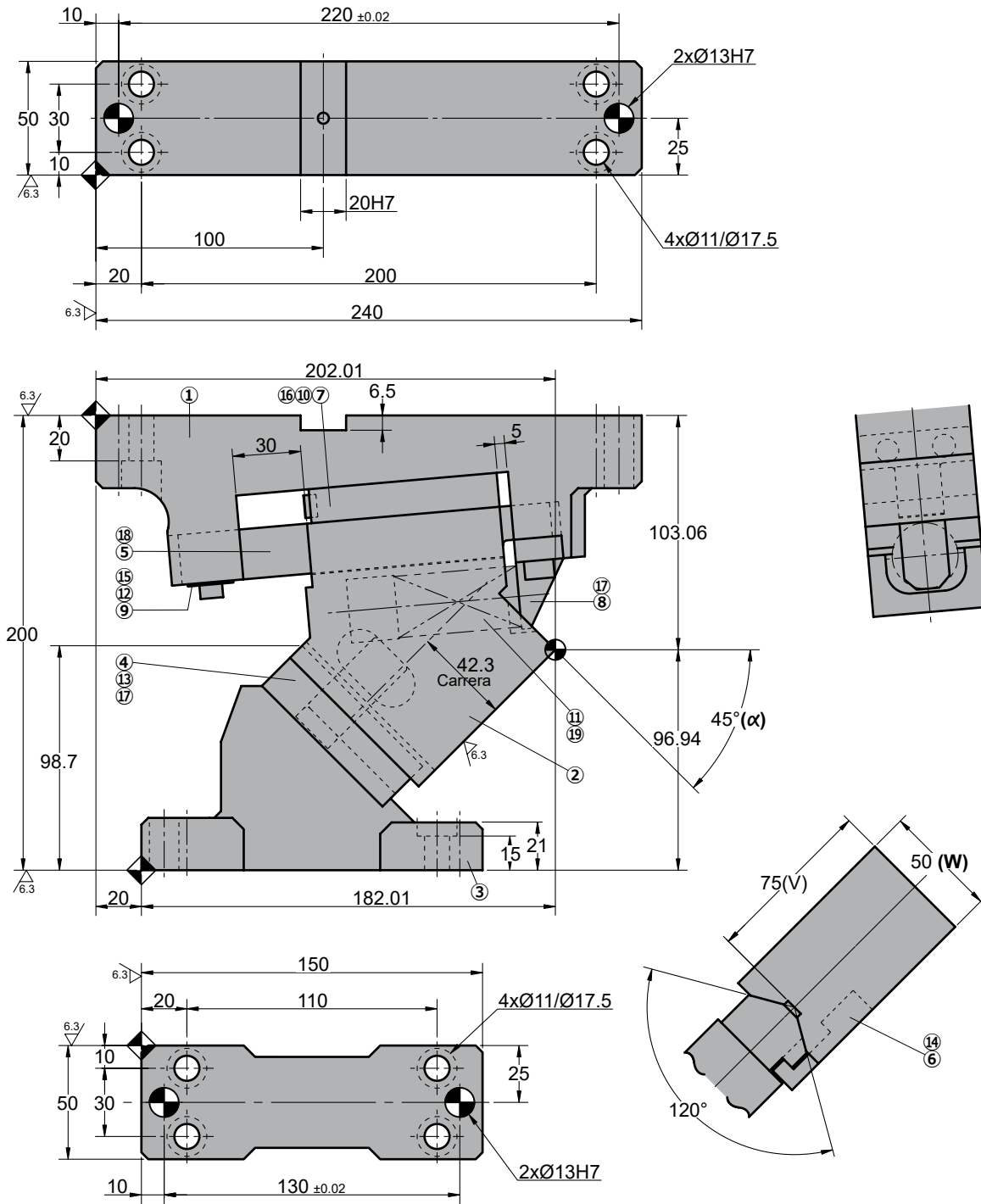
No.	Description	Qty.	Material
⑯	Screw	4	M8 x 20
⑰	Screw	4	M8 x 25
⑱	Screw	1	M10 x 35
⑲	Espaciador	1	CK45

# ASCB 0050

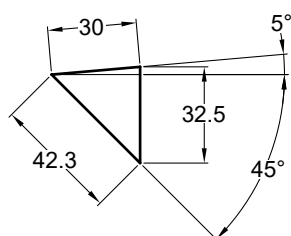
Aerial cam for pierce



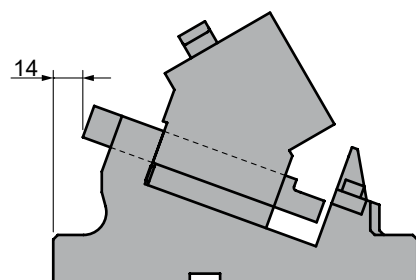
## ASCB 0050 45



### Cam diagram:



### Disassembling space:







# ASCB 0050

Aerial cam for pierce

Stroke (mm)	Working force kN - (tons)		Spring Force N - (kgf)		Weight (Kg)	Model	W (mm)	$\alpha$ (mm)
	(1 Million Strokes)	(300.000 Strokes)	Initial F <sub>0</sub>	Final F <sub>1</sub>				
42.3	19.6 (2.0)	39.2 (4.0)	163.5 (16.7)	981.0 (100.0)	10.6	<b>ASCB</b>	<b>0050</b>	<b>45</b>



Order: **Model (W) ( $\alpha$ )**  
**ASCB 0050 45**

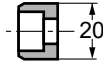
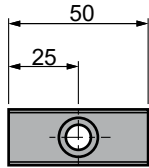
Standard order example according to catalog sheet. Add options applying options table contents.

## OPTIONS

### K

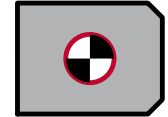
### KEY

K



1 x M8x15

### P PINS

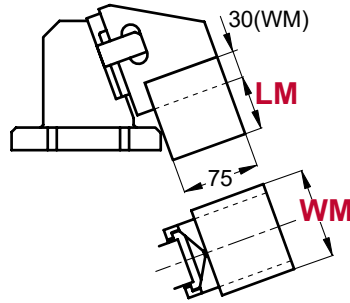


**P12 - Ø12 H7**

### LM - WM MOUNT

**LM** Extensible slider mount from 1 to 60 mm (increments of 1 mm). e.g. LM50

**WM** Mount width changed to 65mm. e.g. WM65



### Order Options: Model (W) ( $\alpha$ )-Option



**ASCB 0050 45-K**

**ASCB 0050 45-P12**

**ASCB 0050 45-WM-LM50**

**ASCB 0050 45-P12-WM-LM50-K**



### SPARE PARTS:

- ④ Cam Slider Guide
- ⑦ Upper Slide Plate
- ⑪ Coil Spring

## COMPONENTS

No.	Description	Qty.	Material
①	Cam Holder	1	GGG50
②	Cam Slider	1	GGG50
③	Cam Driver	1	GG25
④	Cam Slider Guide	1	Bronze + G
⑤	Guide Bar	1	CK45 + G
⑥	Positive Return	1	CK45
⑦	Upper Slide Plate	1	Bronze + G
⑧	Spring Stopper Block	1	CK22
⑨	Security Plate	1	CK45
⑩	Cushioning Stopper	2	Urethane
⑪	Coil Spring	1	TL27-90
⑫	Disc Spring	2	M6
⑬	Dowel Pin	4	Ø8 x 30
⑭	Screw	1	M8 x 18
⑮	Screw	2	M6 x 10

No.	Description	Qty.	Material
⑯	Screw	4	M8 x 20
⑰	Screw	4	M8 x 25
⑱	Screw	1	M10 x 35
⑲	Espaciador	1	CK45

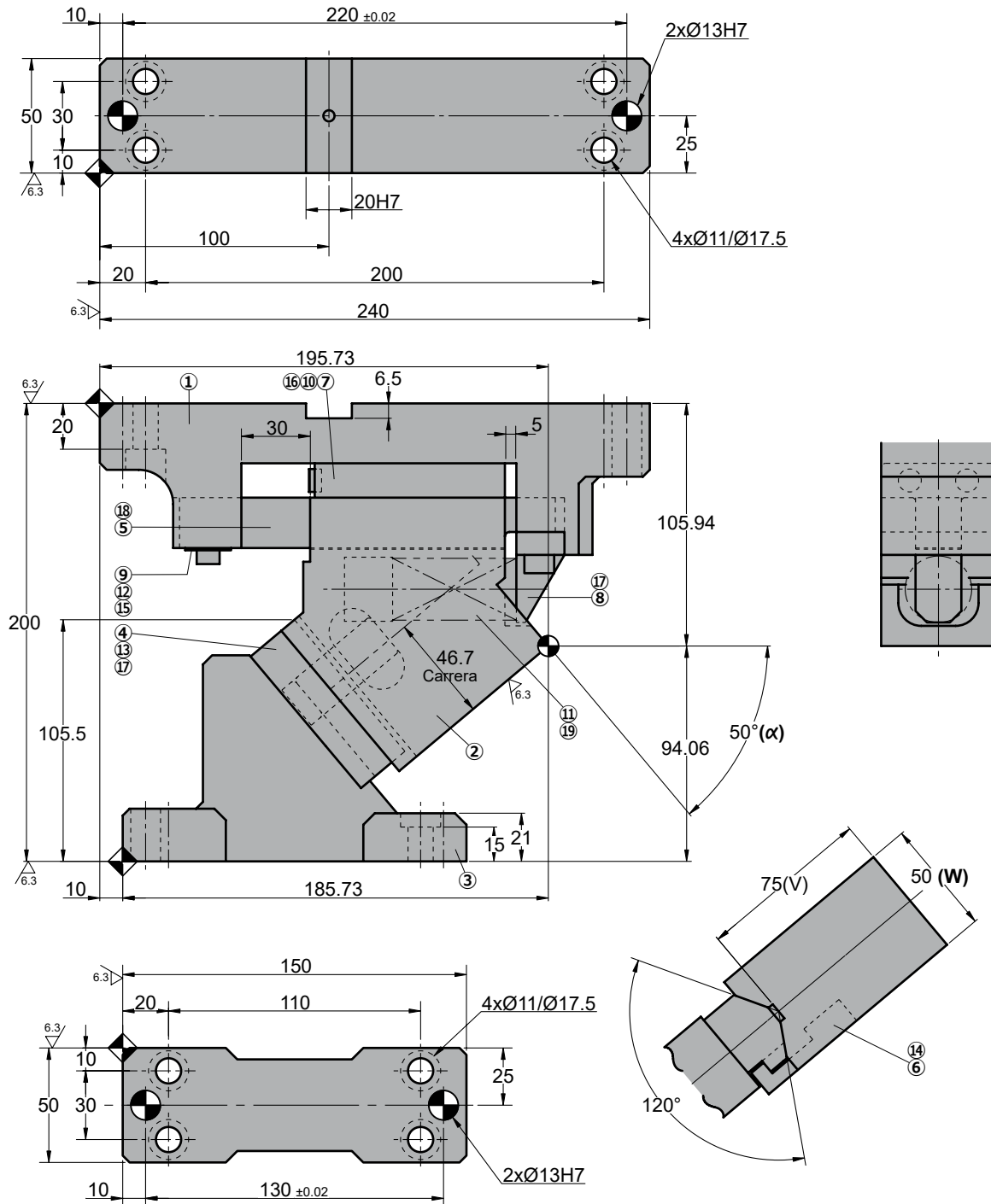


# ASCB 0050

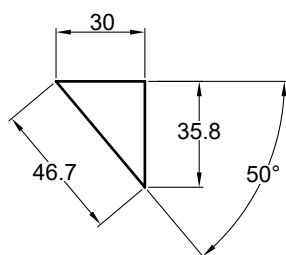
Aerial cam for pierce



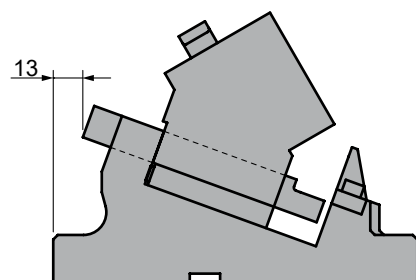
## ASCB 0050 50



◦Cam diagram:



◦Disassembling space:





# ASCB 0050

Aerial cam for pierce

Stroke (mm)	Working force kN - (tons)		Spring Force N - (kgf)		Weight (Kg)	Model	W (mm)	$\alpha$ (mm)
	(1 Million Strokes)	(300.000 Strokes)	Initial F <sub>0</sub>	Final F <sub>1</sub>				
46.7	19.6 (2.0)	39.2 (4.0)	163.5 (16.7)	981.0 (100.0)	10.6	<b>ASCB</b>	<b>0050</b>	<b>50</b>



Order: Model (W) ( $\alpha$ )

**ASCB 0050 50**

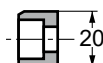
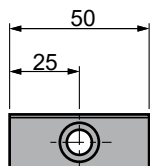
Standard order example according to catalog sheet. Add options applying options table contents.

## OPTIONS

### K

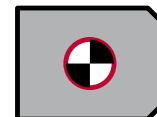
### KEY

K



1 x M8x15

### P PINS

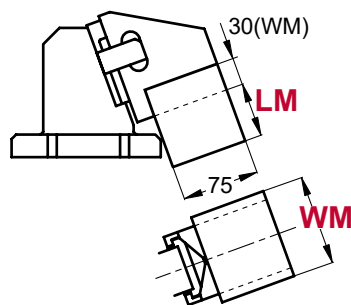


**P12 - Ø12 H7**

### LM - WM MOUNT

**LM** Extensible slider mount from 1 to 60 mm (increments of 1 mm). e.g. LM50

**WM** Mount width changed to 65mm. e.g. WM65



Order Options: Model (W) ( $\alpha$ )-Option



**ASCB 0050 50-K**

**ASCB 0050 50-P12**

**ASCB 0050 50-WM-LM50**

**ASCB 0050 50-P12-WM-LM50-K**



### SPARE PARTS:

- ④ Cam Slider Guide
- ⑦ Upper Slide Plate
- ⑪ Coil Spring

## COMPONENTS

No.	Description	Qty.	Material
①	Cam Holder	1	GGG50
②	Cam Slider	1	GGG50
③	Cam Driver	1	GG25
④	Cam Slider Guide	1	Bronze + G
⑤	Guide Bar	1	CK45 + G
⑥	Positive Return	1	CK45
⑦	Upper Slide Plate	1	Bronze + G
⑧	Spring Stopper Block	1	CK22
⑨	Security Plate	1	CK45
⑩	Cushioning Stopper	2	Urethane
⑪	Coil Spring	1	TL27-90
⑫	Disc Spring	2	M6
⑬	Dowel Pin	4	Ø8 x 30
⑭	Screw	1	M8 x 18
⑮	Screw	2	M6 x 10

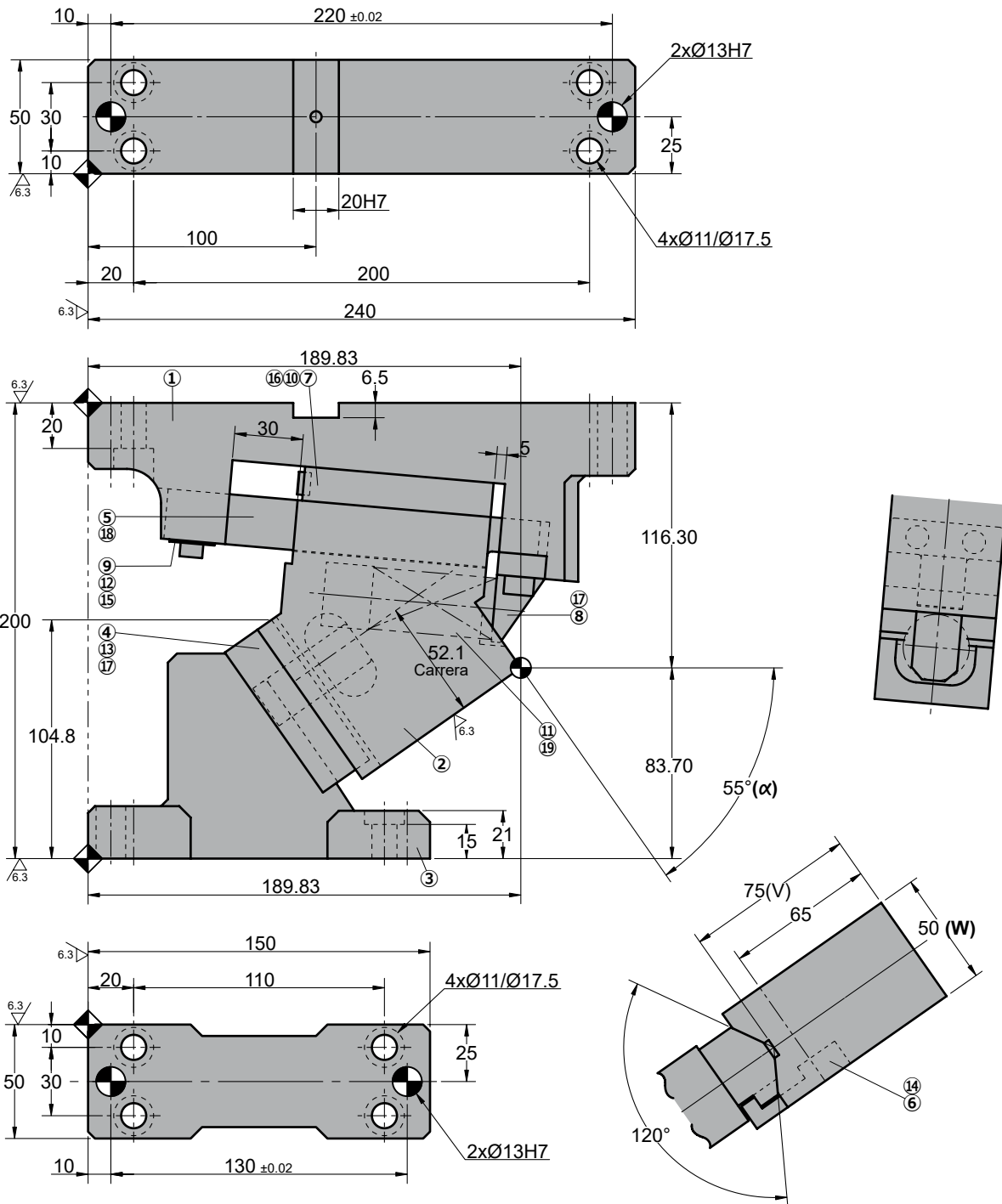
No.	Description	Qty.	Material
⑯	Screw	4	M8 x 20
⑰	Screw	4	M8 x 25
⑱	Screw	1	M10 x 35
⑲	Espaciador	1	CK45

# ASCB 0050

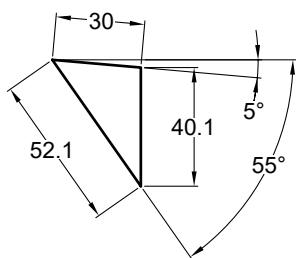
Aerial cam for pierce



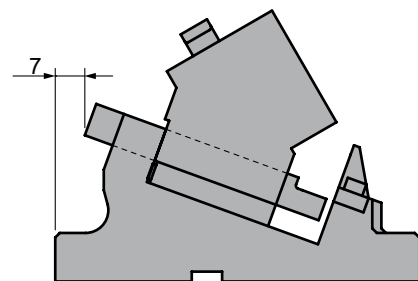
## ASCB 0050 55



### ◦Cam diagram:



### ◦Disassembling space:





# ASCB 0050

Aerial cam for pierce

Stroke (mm)	Working force kN - (tons)		Spring Force N - (kgf)		Weight (Kg)	Model	W (mm)	$\alpha$ (mm)
	(1 Million Strokes)	(300.000 Strokes)	Initial F <sub>0</sub>	Final F <sub>1</sub>				
52.1	19.6 (2.0)	39.2 (4.0)	163.5 (16.7)	981.0 (100.0)	10.8	<b>ASCB</b>	<b>0050</b>	<b>55</b>



Order: **Model (W) ( $\alpha$ )**  
**ASCB 0050 55**

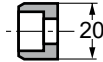
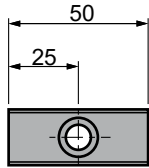
Standard order example according to catalog sheet. Add options applying options table contents.

## OPTIONS

**K**

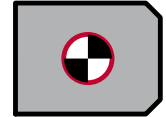
**KEY**

**K**



1 x M8x15

**P PINS**

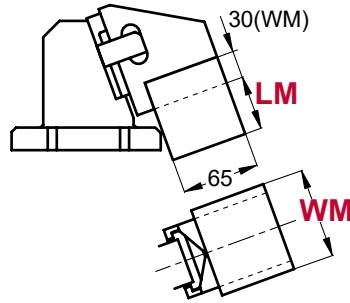


**P12 - Ø12 H7**

## LM - WM MOUNT

**LM** Extensible slider mount from 1 to 60 mm (increments of 1 mm). e.g. LM50

**WM** Mount width changed to 65mm. e.g. WM65



Order Options: **Model (W) ( $\alpha$ )-Option**



**ASCB 0050 55-K**

**ASCB 0050 55-P12**

**ASCB 0050 55-WM-LM50**

**ASCB 0050 55-P12-WM-LM50-K**



**SPARE PARTS:**

- ④ Cam Slider Guide
- ⑦ Upper Slide Plate
- ⑪ Coil Spring

## COMPONENTS

No.	Description	Qty.	Material
①	Cam Holder	1	GGG50
②	Cam Slider	1	GGG50
③	Cam Driver	1	GG25
④	Cam Slider Guide	1	Bronze + G
⑤	Guide Bar	1	CK45 + G
⑥	Positive Return	1	CK45
⑦	Upper Slide Plate	1	Bronze + G
⑧	Spring Stopper Block	1	CK22
⑨	Security Plate	1	CK45
⑩	Cushioning Stopper	2	Urethane
⑪	Coil Spring	1	TL27-90
⑫	Disc Spring	2	M6
⑬	Dowel Pin	4	Ø8 x 30
⑭	Screw	1	M8 x 18
⑮	Screw	2	M6 x 10

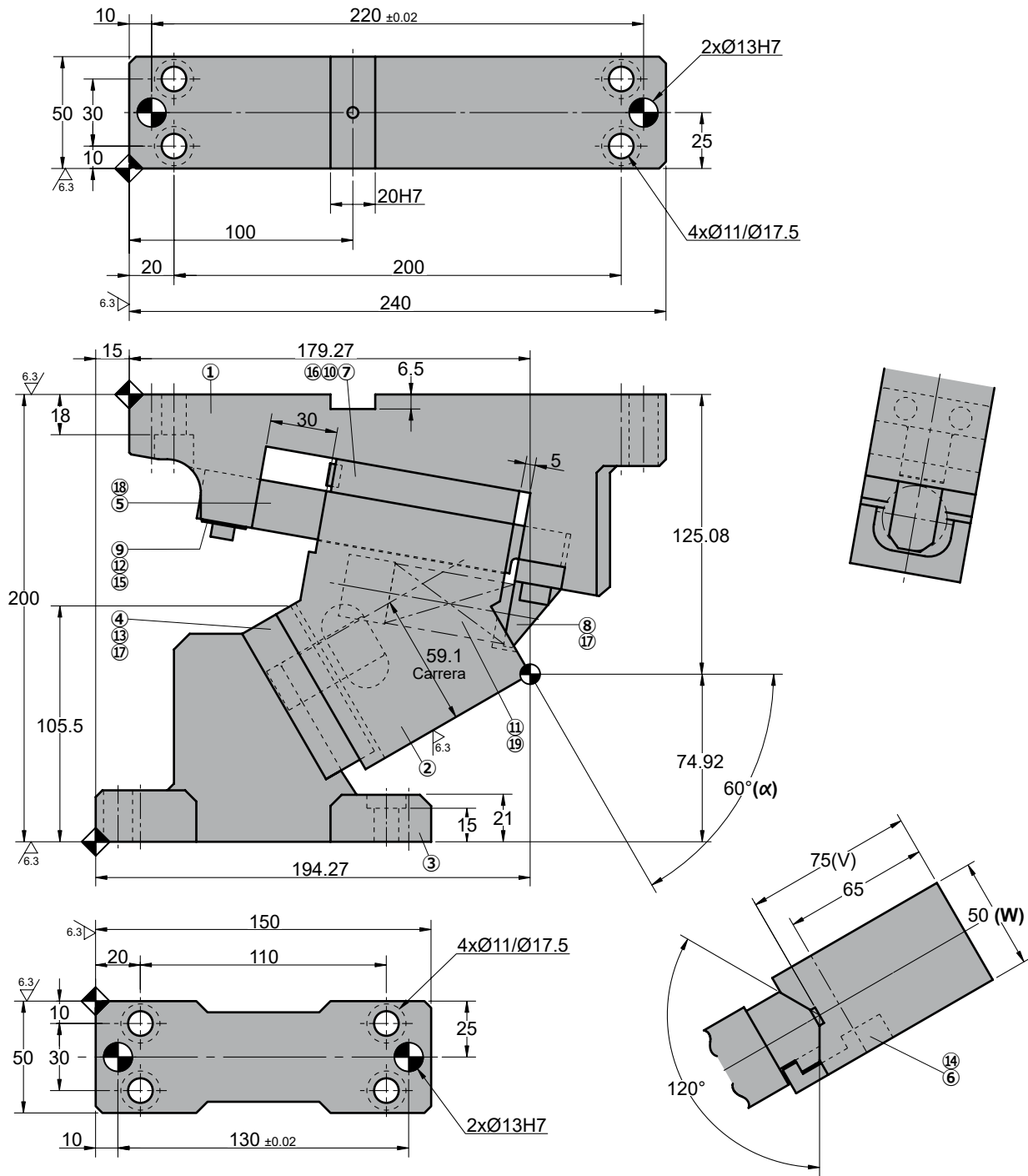
No.	Description	Qty.	Material
⑯	Screw	4	M8 x 20
⑰	Screw	4	M8 x 25
⑱	Screw	1	M10 x 35
⑲	Espaciador	1	CK45

# ASCB 0050

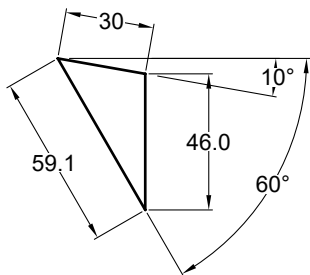
Aerial cam for pierce



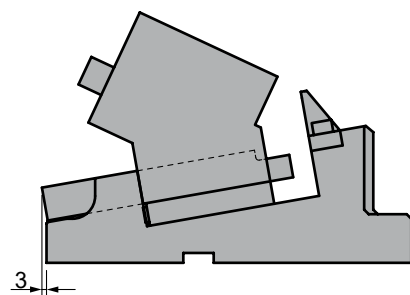
## ASCB 0050 60



◦Cam diagram:



◦Disassembling space:





# ASCB 0050

Aerial cam for pierce

Stroke (mm)	Working force kN - (tons)		Spring Force N - (kgf)		Weight (Kg)	Model	W (mm)	$\alpha$ (mm)
	(1 Million Strokes)	(300.000 Strokes)	Initial F <sub>0</sub>	Final F <sub>1</sub>				
59.1	19.6 (2.0)	39.2 (4.0)	163.5 (16.7)	981.0 (100.0)	11.2	<b>ASCB</b>	<b>0050</b>	<b>60</b>



Order: **Model (W) ( $\alpha$ )**  
**ASCB 0050 60**

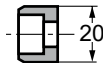
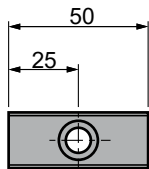
Standard order example according to catalog sheet. Add options applying options table contents.

## OPTIONS

### K

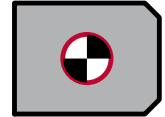
### KEY

K



1 x M8x15

### P PINS

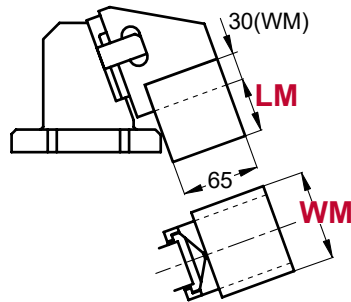


**P12 - Ø12 H7**

### LM - WM MOUNT

**LM** Extensible slider mount from 1 to 60 mm (increments of 1 mm). e.g. LM50

**WM** Mount width changed to 65mm. e.g. WM65



### Order Options: Model (W) ( $\alpha$ )-Option



**ASCB 0050 60-K**

**ASCB 0050 60-P12**

**ASCB 0050 60-WM-LM50**

**ASCB 0050 60-P12-WM-LM50-K**



### SPARE PARTS:

- ④ Cam Slider Guide
- ⑦ Upper Slide Plate
- ⑪ Coil Spring

## COMPONENTS

No.	Description	Qty.	Material
①	Cam Holder	1	GGG50
②	Cam Slider	1	GGG50
③	Cam Driver	1	GG25
④	Cam Slider Guide	1	Bronze + G
⑤	Guide Bar	1	CK45 + G
⑥	Positive Return	1	CK45
⑦	Upper Slide Plate	1	Bronze + G
⑧	Spring Stopper Block	1	CK22
⑨	Security Plate	1	CK45
⑩	Cushioning Stopper	2	Urethane
⑪	Coil Spring	1	TL27-90
⑫	Disc Spring	2	M6
⑬	Dowel Pin	4	Ø8 x 30
⑭	Screw	1	M8 x 18
⑮	Screw	2	M6 x 10

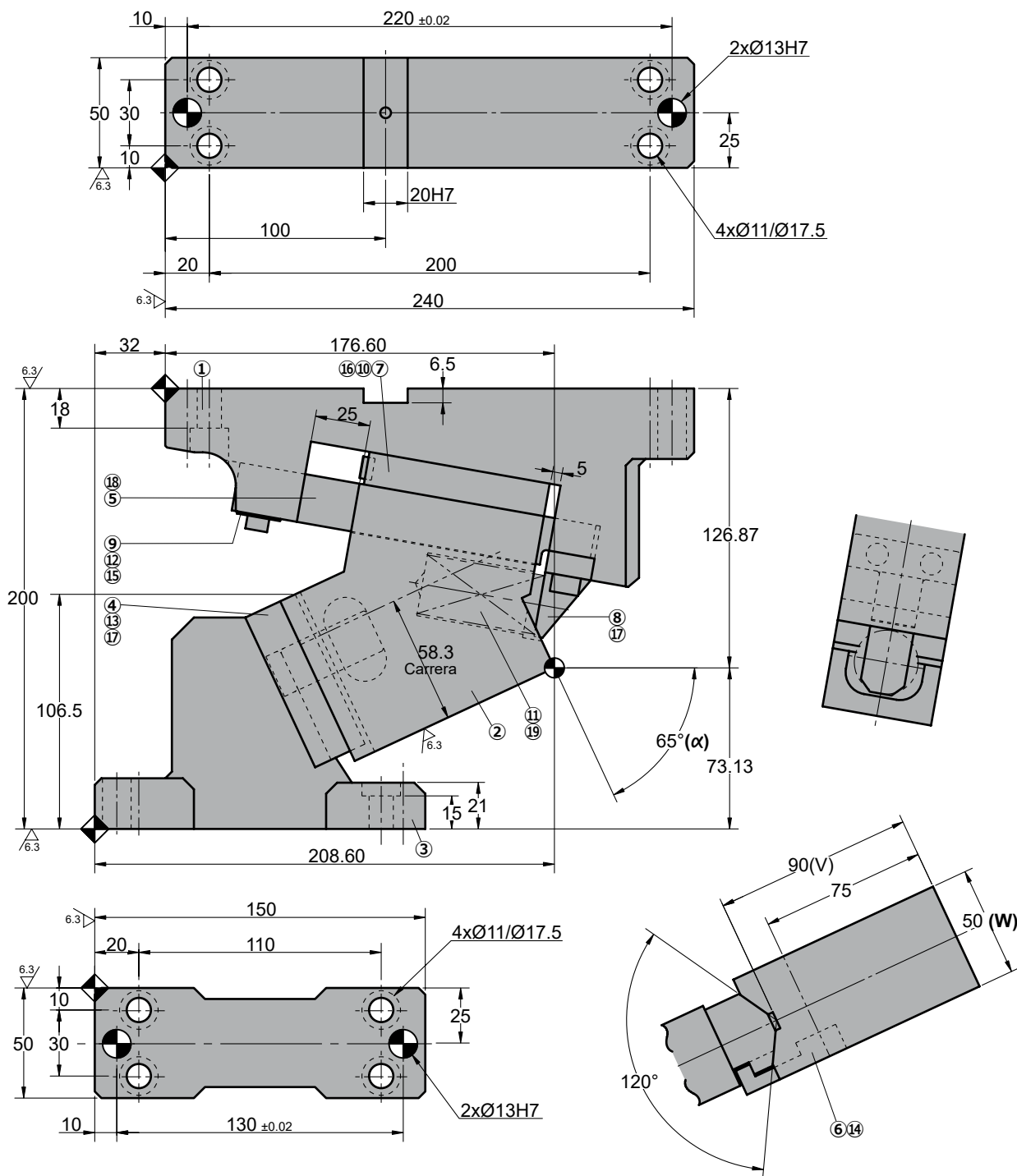
No.	Description	Qty.	Material
⑯	Screw	4	M8 x 20
⑰	Screw	4	M8 x 25
⑱	Screw	1	M10 x 35
⑲	Espaciador	1	CK45

# ASCB 0050

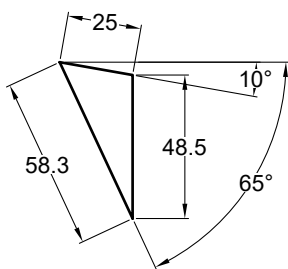
Aerial cam for pierce



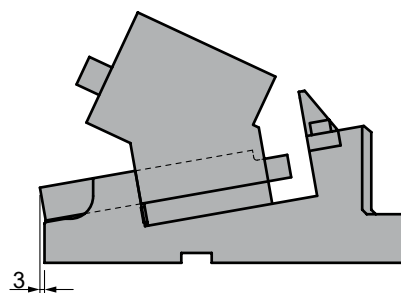
## ASCB 0050 65



◦Cam diagram:



◦Disassembling space:







# ASCB 0050

Aerial cam for pierce

Stroke (mm)	Working force kN - (tons)		Spring Force N - (kgf)		Weight (Kg)	Model	W (mm)	$\alpha$ (mm)
	(1 Million Strokes)	(300.000 Strokes)	Initial F <sub>0</sub>	Final F <sub>1</sub>				
58.3	19.6 (2.0)	39.2 (4.0)	299.8 (30.6)	981.0 (100.0)	11.6	<b>ASCB</b>	<b>0050</b>	<b>65</b>



Order: **Model** **(W)** **( $\alpha$ )**  
**ASCB 0050 65**

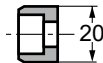
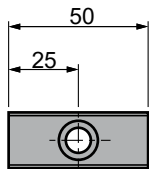
Standard order example according to catalog sheet. Add options applying options table contents.

## OPTIONS

### K

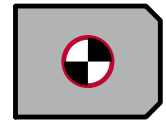
### KEY

K



1 x M8x15

### P PINS

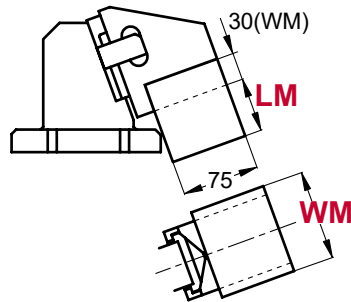


**P12 - Ø12 H7**

### LM - WM MOUNT

**LM** Extensible slider mount from 1 to 60 mm (increments of 1 mm). e.g. LM50

**WM** Mount width changed to 65mm. e.g. WM65



### Order Options: Model (W) ( $\alpha$ )-Option



**ASCB 0050 65-K**

**ASCB 0050 65-P12**

**ASCB 0050 65-WM-LM50**

**ASCB 0050 65-P12-WM-LM50-K**



### SPARE PARTS:

- ④ Cam Slider Guide
- ⑦ Upper Slide Plate
- ⑪ Coil Spring

## COMPONENTS

No.	Description	Qty.	Material
①	Cam Holder	1	GGG50
②	Cam Slider	1	GGG50
③	Cam Driver	1	GG25
④	Cam Slider Guide	1	Bronze + G
⑤	Guide Bar	1	CK45 + G
⑥	Positive Return	1	CK45
⑦	Upper Slide Plate	1	Bronze + G
⑧	Spring Stopper Block	1	CK22
⑨	Security Plate	1	CK45
⑩	Cushioning Stopper	2	Urethane
⑪	Coil Spring	1	TL27-90
⑫	Disc Spring	2	M6
⑬	Dowel Pin	4	Ø8 x 30
⑭	Screw	1	M8 x 18
⑮	Screw	2	M6 x 10

No.	Description	Qty.	Material
⑯	Screw	4	M8 x 20
⑰	Screw	4	M8 x 25
⑱	Screw	1	M10 x 35

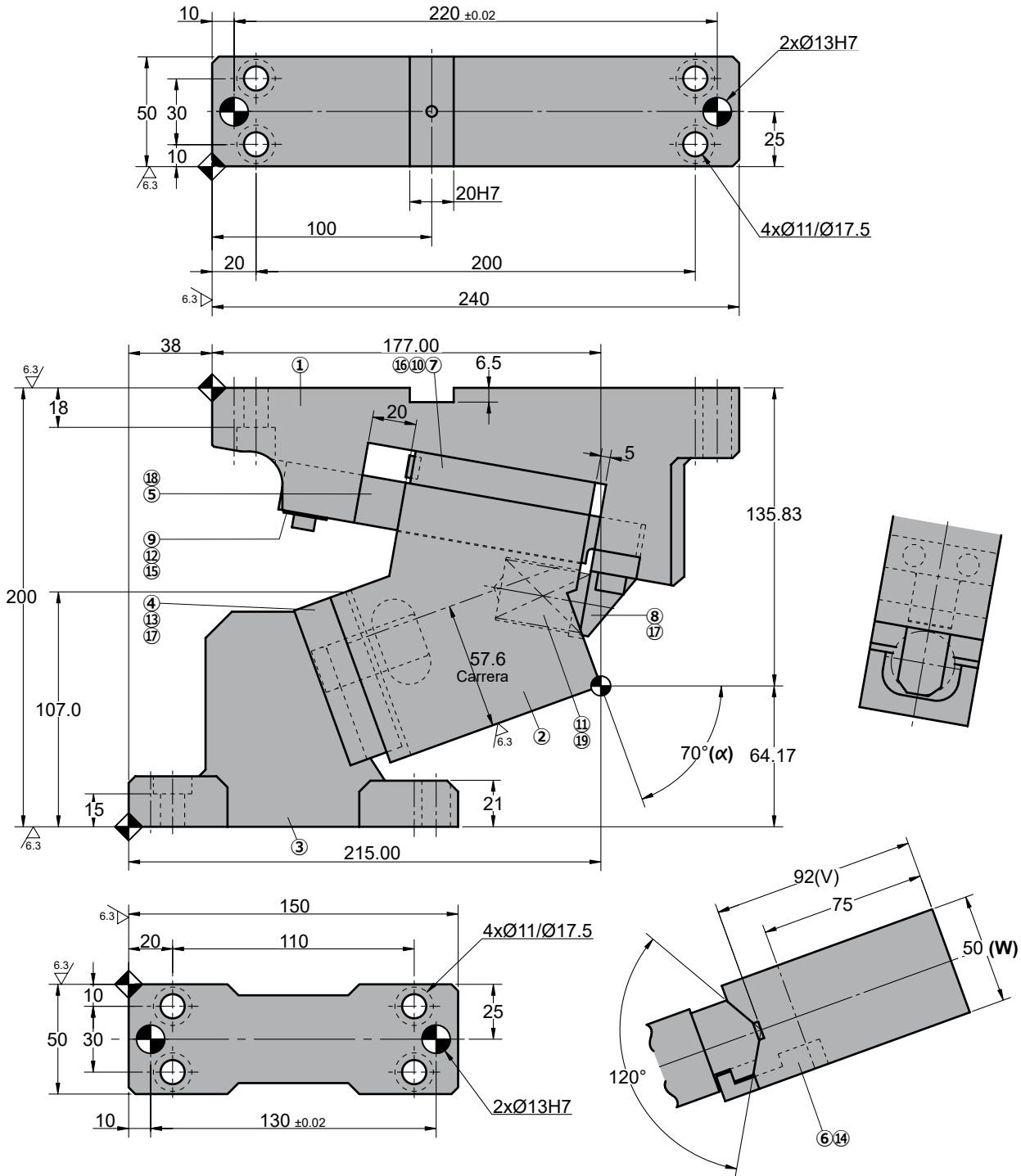


# ASCB 0050

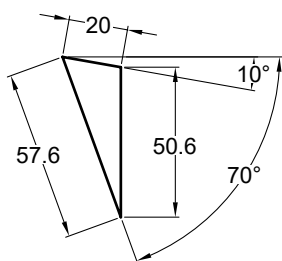
Aerial cam for pierce



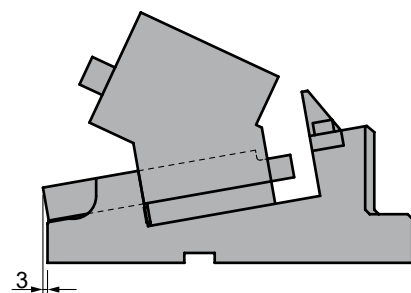
## ASCB 0050 70



◦Cam diagram:



◦Disassembling space:





# ASCB 0050

Aerial cam for pierce

Stroke (mm)	Working force kN - (tons)		Spring Force N - (kgf)		Weight (Kg)	Model	W (mm)	$\alpha$ (mm)
	(1 Million Strokes)	(300.000 Strokes)	Initial F <sub>0</sub>	Final F <sub>1</sub>				
57.6	19.6 (2.0)	39.2 (4.0)	226.4 (23.1)	981.2 (100.1)	12.0	<b>ASCB</b>	<b>0050</b>	<b>70</b>



Order: **Model (W) ( $\alpha$ )**  
**ASCB 0050 70**

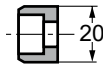
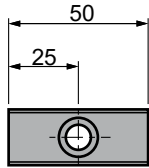
Standard order example according to catalog sheet. Add options applying options table contents.

## OPTIONS

### K

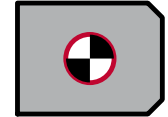
### KEY

K



1 x M8x15

### P PINS

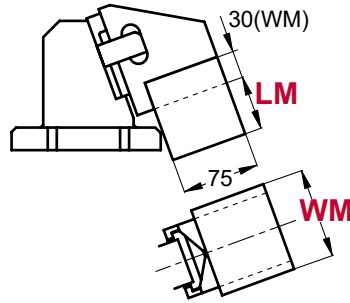


**P12 - Ø12 H7**

### LM - WM MOUNT

**LM** Extensible slider mount from 1 to 60 mm (increments of 1 mm). e.g. LM50

**WM** Mount width changed to 65mm. e.g. WM65



### Order Options: Model (W) ( $\alpha$ )-Option



**ASCB 0050 70-K**

**ASCB 0050 70-P12**

**ASCB 0050 70-WM-LM50**

**ASCB 0050 70-P12-WM-LM50-K**



### SPARE PARTS:

- ④ Cam Slider Guide
- ⑦ Upper Slide Plate
- ⑪ Coil Spring

## COMPONENTS

No.	Description	Qty.	Material
①	Cam Holder	1	GGG50
②	Cam Slider	1	GGG50
③	Cam Driver	1	GG25
④	Cam Slider Guide	1	Bronze + G
⑤	Guide Bar	1	CK45 + G
⑥	Positive Return	1	CK45
⑦	Upper Slide Plate	1	Bronze + G
⑧	Spring Stopper Block	1	CK22
⑨	Security Plate	1	CK45
⑩	Cushioning Stopper	2	Urethane
⑪	Coil Spring	1	TL27-65
⑫	Disc Spring	2	M6
⑬	Dowel Pin	4	Ø8 x 30
⑭	Screw	1	M8 x 18
⑮	Screw	2	M6 x 10

No.	Description	Qty.	Material
⑯	Screw	4	M8 x 20
⑰	Screw	4	M8 x 25
⑱	Screw	1	M10 x 35

# ASCB 0050

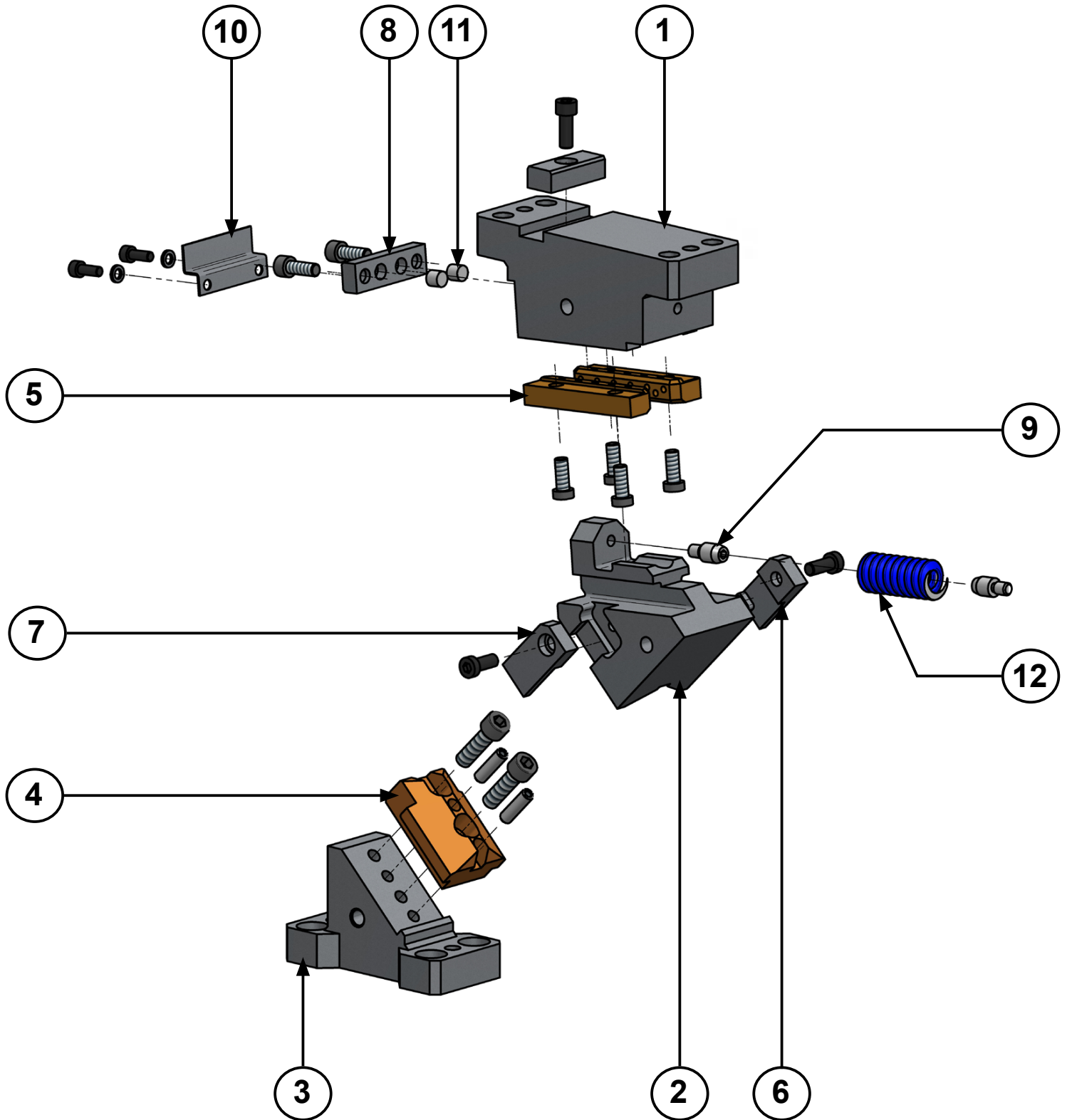


*Aerial cam for pierce*



# ASCB 0065

Aerial cam for pierce

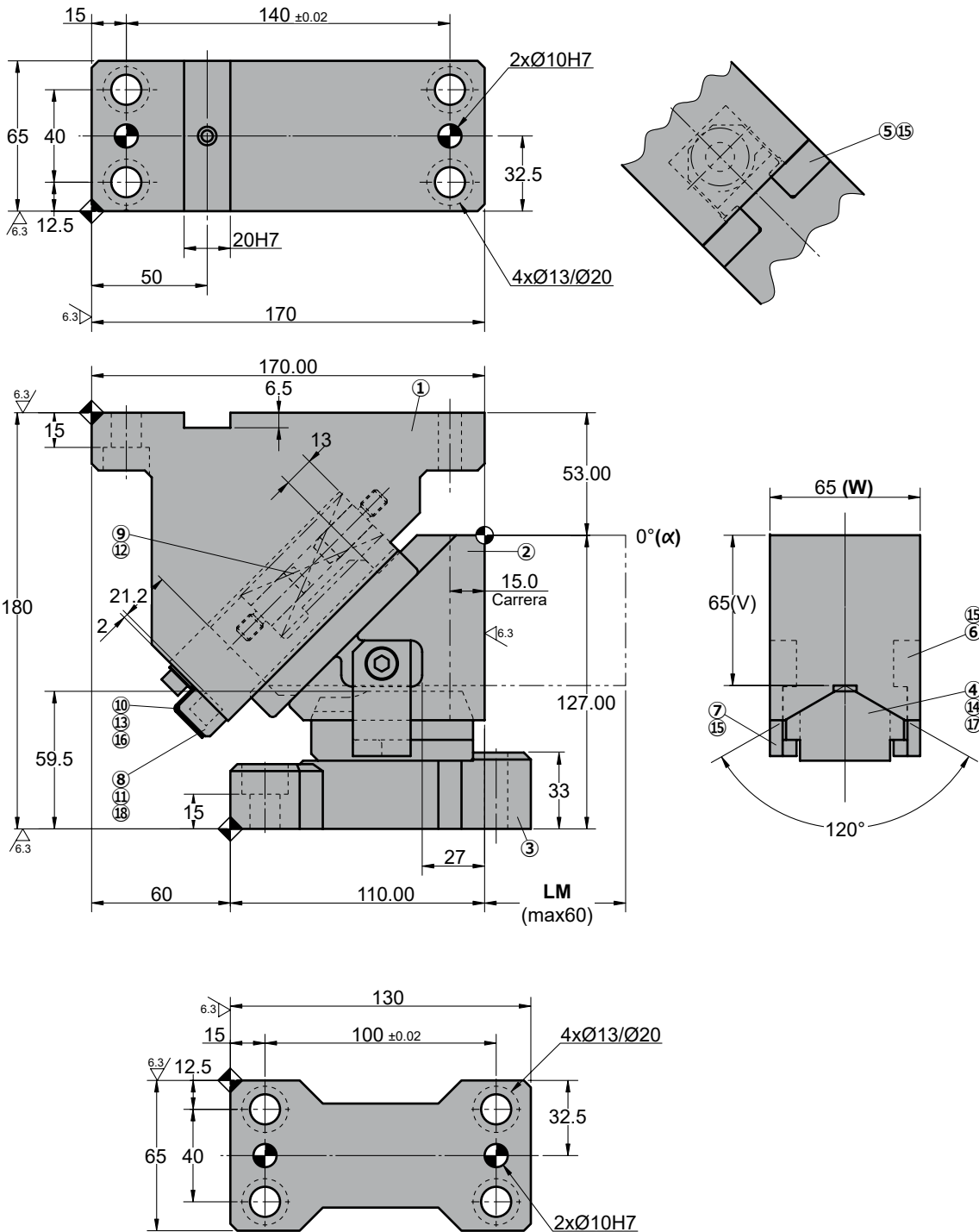


# ASCB 0065

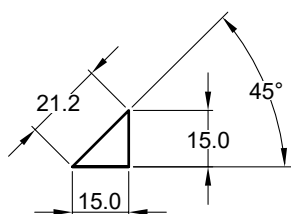
Aerial cam for pierce



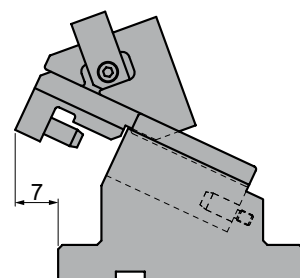
## ASCB 0065 00



◦Cam diagram:



◦Disassembling space:





# ASCB 0065

Aerial cam for pierce

Stroke (mm)	Working force kN - (tons)		Spring Force N - (kgf)		Weight (Kg)	Model	W (mm)	$\alpha$ (mm)
	(1 Million Strokes)	(300.000 Strokes)	Initial F <sub>0</sub>	Final F <sub>1</sub>				
15.0	19.6 (2.0)	39.2 (4.0)	288.0 (29.4)	1186.1 (121.0)	9.5	<b>ASCB</b>	<b>0065</b>	<b>00</b>



**Order:** Model (W) ( $\alpha$ )  
**ASCB 0065 00**

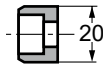
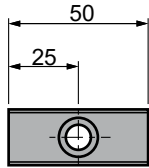
Standard order example according to catalog sheet. Add options applying options table contents.

## OPTIONS

**K**

**KEY**

**K**

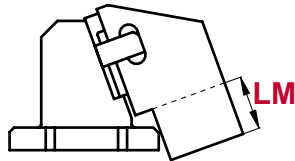


1 x M8x15

**LM**

**MOUNT**

**LM** Extensible slider mount from 1 to 60 mm (increments of 1 mm). e.g. LM50



**Order Options:** Model (W) ( $\alpha$ )-Option



**ASCB 0065 00-K**

**ASCB 0065 00-LM50**

**ASCB 0065 00-LM50-K**



**SPARE PARTS:**

- ④ Cam Slider Guide
- ⑤ Slider Plate
- ⑫ Coil Spring

## COMPONENTS

No.	Description	Qty.	Material
①	Cam Holder	1	GGG50
②	Cam Slider	1	GGG60
③	Cam Driver	1	GG25
④	Cam Slider Guide	1	Bronze + G
⑤	Slider Plate	2	Bronze
⑥	Positive Return A	1	CK45
⑦	Positive Return B	1	CK45
⑧	Stopper Plate	1	CK22
⑨	Spring Guide Pin	2	CK45
⑩	Security Plate	1	CK45
⑪	Cushioning Stopper	2	Urethane
⑫	Coil Spring	1	TM25-90
⑬	Disc Spring	2	M6
⑭	Dowel Pin	2	Ø8 x 30
⑮	Screw	6	M8 x 18

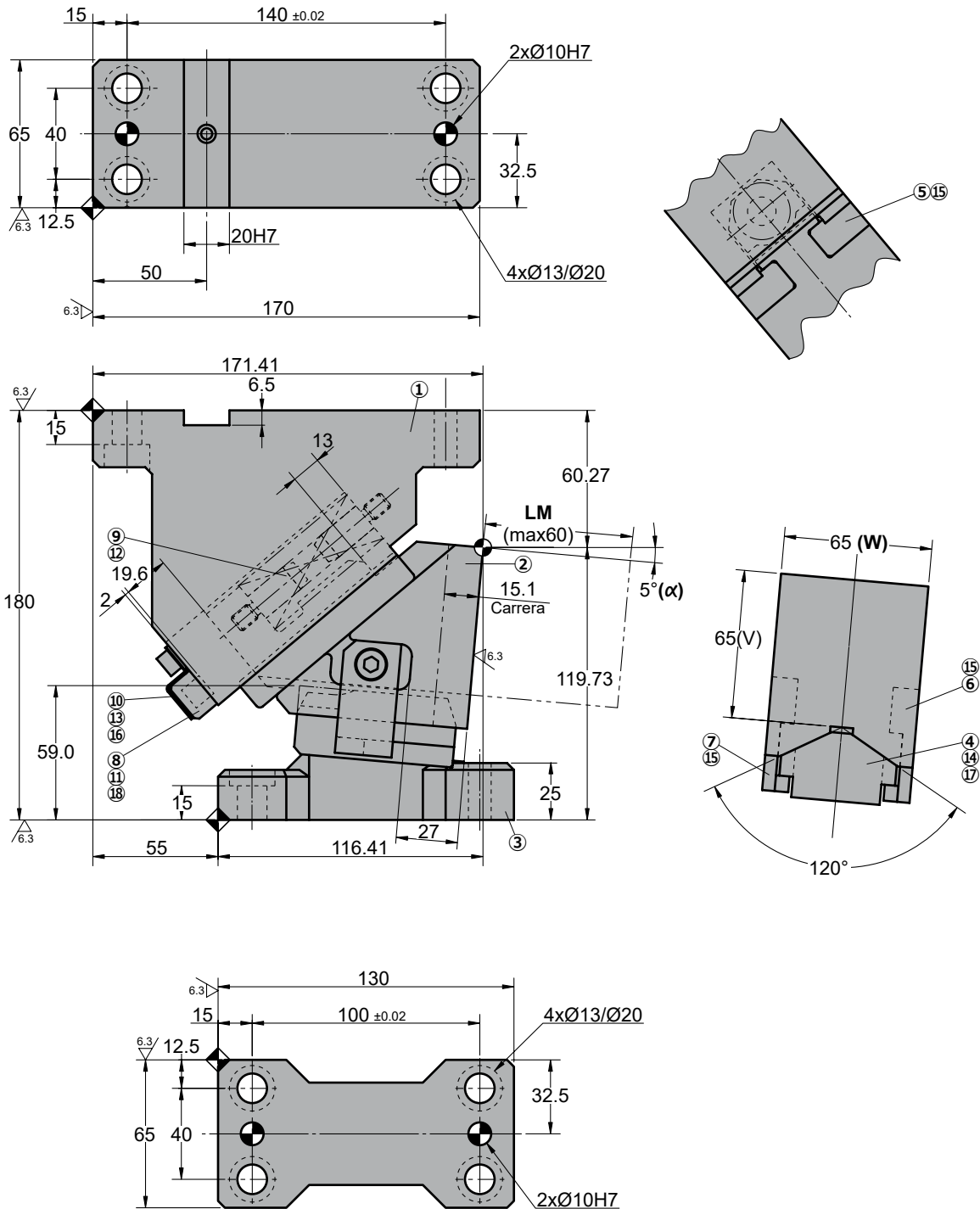
No.	Description	Qty.	Material
⑯	Screw	2	M6 x 10
⑰	Screw	2	M10 x 30
⑱	Screw	2	M8 x 16

# ASCB 0065

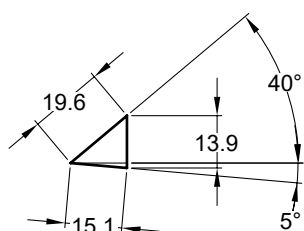
Aerial cam for pierce



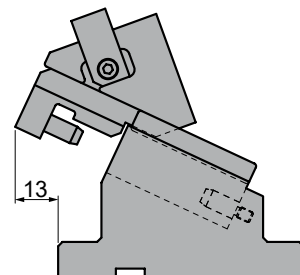
## ASCB 0065 05



### Cam diagram:



### Disassembling space:





# ASCB 0065

Aerial cam for pierce

Stroke (mm)	Working force kN - (tons)		Spring Force N - (kgf)		Weight (Kg)	Model	W (mm)	$\alpha$ (mm)
	(1 Million Strokes)	(300.000 Strokes)	Initial F <sub>0</sub>	Final F <sub>1</sub>				
15.1	19.6 (2.0)	39.2 (4.0)	355.8 (36.3)	1186.1 (121.0)	9.3	<b>ASCB</b>	<b>0065</b>	<b>05</b>



Order: Model (W) ( $\alpha$ )  
**ASCB 0065 05**

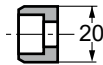
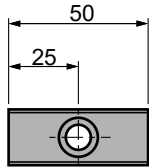
Standard order example according to catalog sheet. Add options applying options table contents.

## OPTIONS

### K

### KEY

K

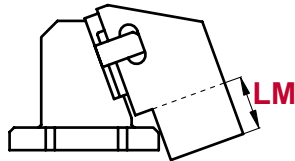


1 x M8x15

### LM

### MOUNT

**LM** Extensible slider mount from 1 to 60 mm (increments of 1 mm). e.g. LM50



### Order Options: Model (W) ( $\alpha$ )-Option



**ASCB 0065 05-K**

**ASCB 0065 05-LM50**

**ASCB 0065 05-LM50-K**



### SPARE PARTS:

- ④ Cam Slider Guide
- ⑤ Slider Plate
- ⑫ Coil Spring

## COMPONENTS

No.	Description	Qty.	Material
①	Cam Holder	1	GGG50
②	Cam Slider	1	GGG60
③	Cam Driver	1	GG25
④	Cam Slider Guide	1	Bronze + G
⑤	Slider Plate	2	Bronze
⑥	Positive Return A	1	CK45
⑦	Positive Return B	1	CK45
⑧	Stopper Plate	1	CK22
⑨	Spring Guide Pin	2	CK45
⑩	Security Plate	1	CK45
⑪	Cushioning Stopper	2	Urethane
⑫	Coil Spring	1	TM25-90
⑬	Disc Spring	2	M6
⑭	Dowel Pin	2	Ø8 x 30
⑮	Screw	6	M8 x 18

No.	Description	Qty.	Material
⑯	Screw	2	M6 x 10
⑰	Screw	2	M10 x 30
⑱	Screw	2	M8 x 16

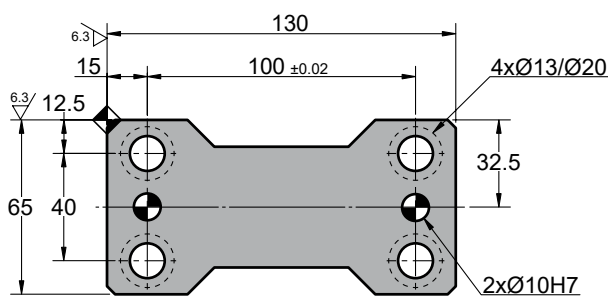
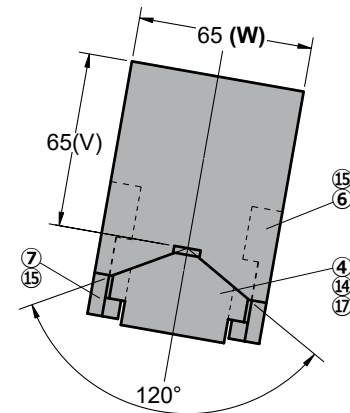
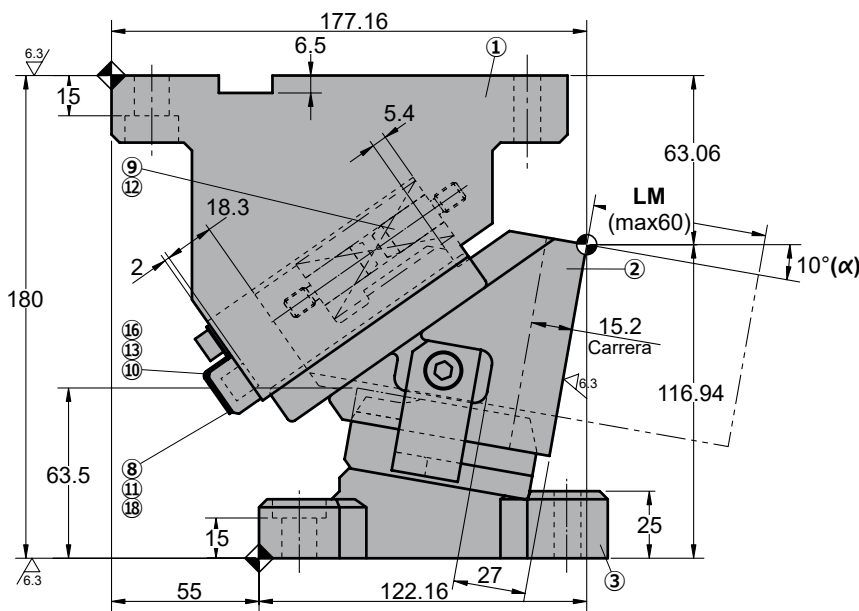
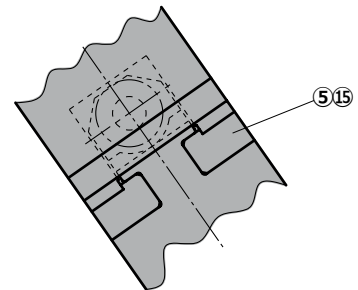
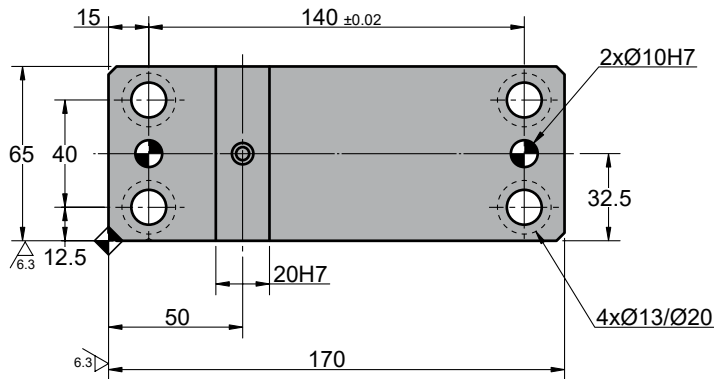


# ASCB 0065

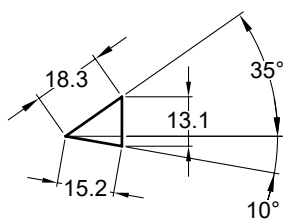
Aerial cam for pierce



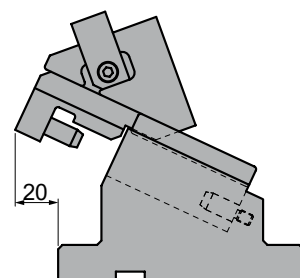
## ASCB 0065 10



### Cam diagram:



### Disassembling space:





# ASCB 0065

Aerial cam for pierce

Stroke (mm)	Working force kN - (tons)		Spring Force N - (kgf)		Weight (Kg)	Model	W (mm)	$\alpha$ (mm)
	(1 Million Strokes)	(300.000 Strokes)	Initial F <sub>0</sub>	Final F <sub>1</sub>				
15.2	19.6 (2.0)	39.2 (4.0)	347.9 (35.5)	1220.1 (124.5)	9.0	<b>ASCB</b>	<b>0065</b>	<b>10</b>



Order: **Model (W) ( $\alpha$ )**  
**ASCB 0065 10**

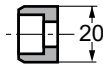
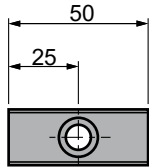
Standard order example according to catalog sheet. Add options applying options table contents.

## OPTIONS

**K**

**KEY**

**K**

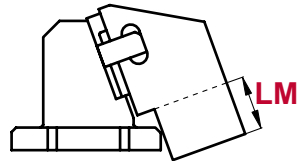


1 x M8x15

**LM**

**MOUNT**

**LM** Extensible slider mount from 1 to 60 mm (increments of 1 mm). e.g. LM50



Order Options: **Model (W) ( $\alpha$ )-Option**



**ASCB 0065 10-K**

**ASCB 0065 10-LM50**

**ASCB 0065 10-LM50-K**



**SPARE PARTS:**

- ④ Cam Slider Guide
- ⑤ Slider Plate
- ⑫ Coil Spring

## COMPONENTS

No.	Description	Qty.	Material
①	Cam Holder	1	GGG50
②	Cam Slider	1	GGG60
③	Cam Driver	1	GG25
④	Cam Slider Guide	1	Bronze + G
⑤	Slider Plate	2	Bronze
⑥	Positive Return A	1	CK45
⑦	Positive Return B	1	CK45
⑧	Stopper Plate	1	CK22
⑨	Spring Guide Pin	2	CK45
⑩	Security Plate	1	CK45
⑪	Cushioning Stopper	2	Urethane
⑫	Coil Spring	1	TM25-80
⑬	Disc Spring	2	M6
⑭	Dowel Pin	2	Ø8 x 30
⑮	Screw	6	M8 x 18

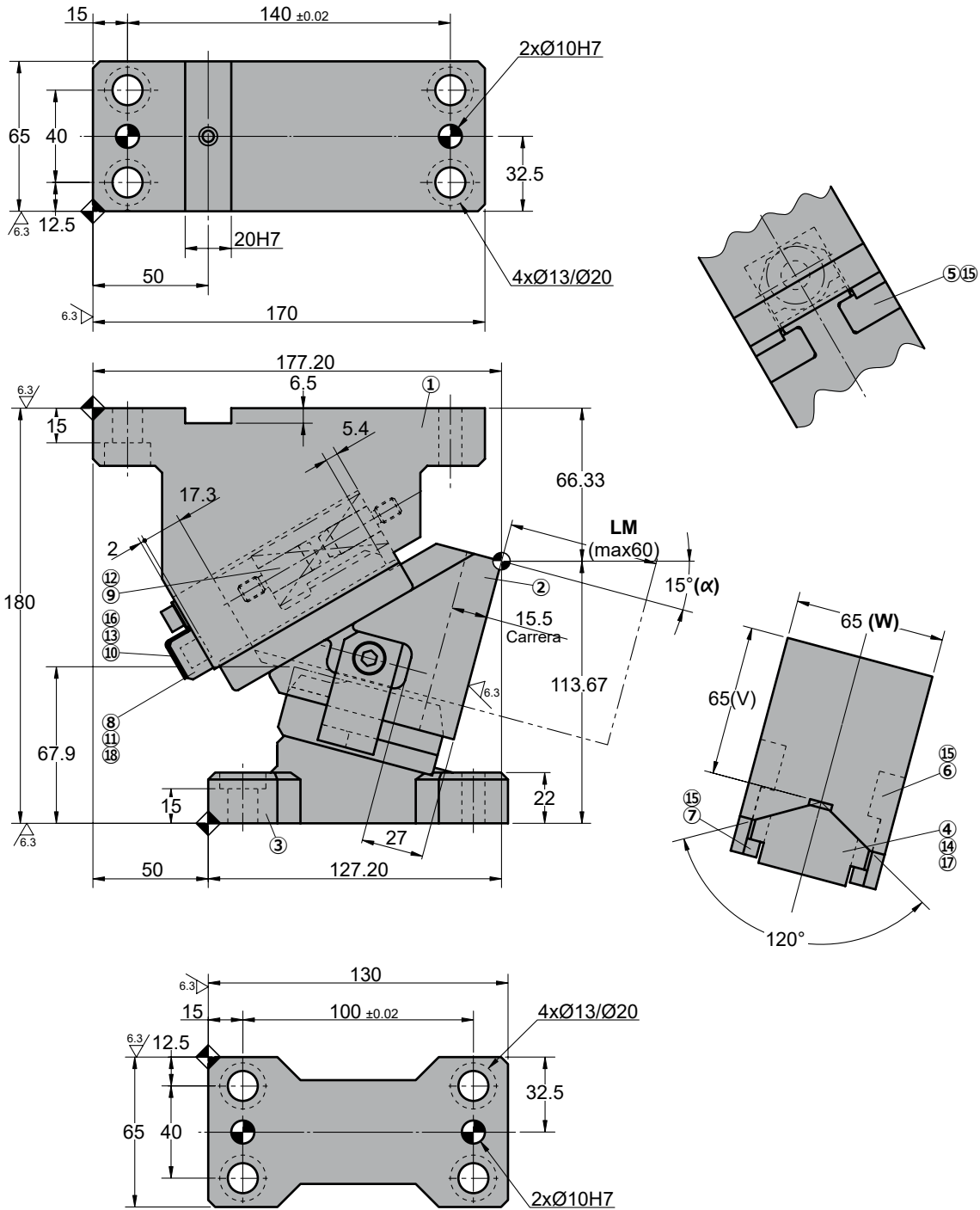
No.	Description	Qty.	Material
⑯	Screw	2	M6 x 10
⑰	Screw	2	M10 x 30
⑱	Screw	2	M8 x 16

# ASCB 0065

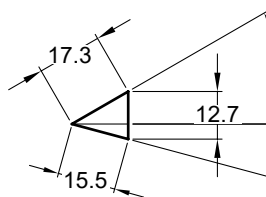
Aerial cam for pierce



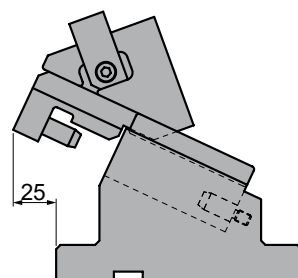
## ASCB 0065 15



### Cam diagram:



### Disassembling space:





# ASCB 0065

Aerial cam for pierce

Stroke (mm)	Working force kN - (tons)		Spring Force N - (kgf)		Weight (Kg)	Model	W (mm)	$\alpha$ (mm)
	(1 Million Strokes)	(300.000 Strokes)	Initial F <sub>0</sub>	Final F <sub>1</sub>				
15.5	19.6 (2.0)	39.2 (4.0)	395.6 (40.3)	1220.1 (124.5)	8.8	<b>ASCB</b>	<b>0065</b>	<b>15</b>



Order: Model (W) ( $\alpha$ )  
**ASCB 0065 15**

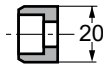
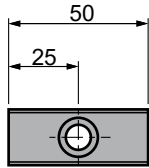
Standard order example according to catalog sheet. Add options applying options table contents.

## OPTIONS

**K**

**KEY**

**K**

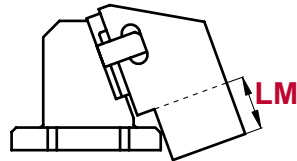


1 x M8x15

**LM**

**MOUNT**

**LM** Extensible slider mount from 1 to 60 mm (increments of 1 mm). e.g. LM50



Order Options: Model (W) ( $\alpha$ )-Option



**ASCB 0065 15-K**

**ASCB 0065 15-LM50**

**ASCB 0065 15-LM50-K**



**SPARE PARTS:**

- ④ Cam Slider Guide
- ⑤ Slider Plate
- ⑫ Coil Spring

## COMPONENTS

No.	Description	Qty.	Material
①	Cam Holder	1	GGG50
②	Cam Slider	1	GGG60
③	Cam Driver	1	GG25
④	Cam Slider Guide	1	Bronze + G
⑤	Slider Plate	2	Bronze
⑥	Positive Return A	1	CK45
⑦	Positive Return B	1	CK45
⑧	Stopper Plate	1	CK22
⑨	Spring Guide Pin	2	CK45
⑩	Security Plate	1	CK45
⑪	Cushioning Stopper	2	Urethane
⑫	Coil Spring	1	TM25-80
⑬	Disc Spring	2	M6
⑭	Dowel Pin	2	Ø8 x 30
⑮	Screw	6	M8 x 18

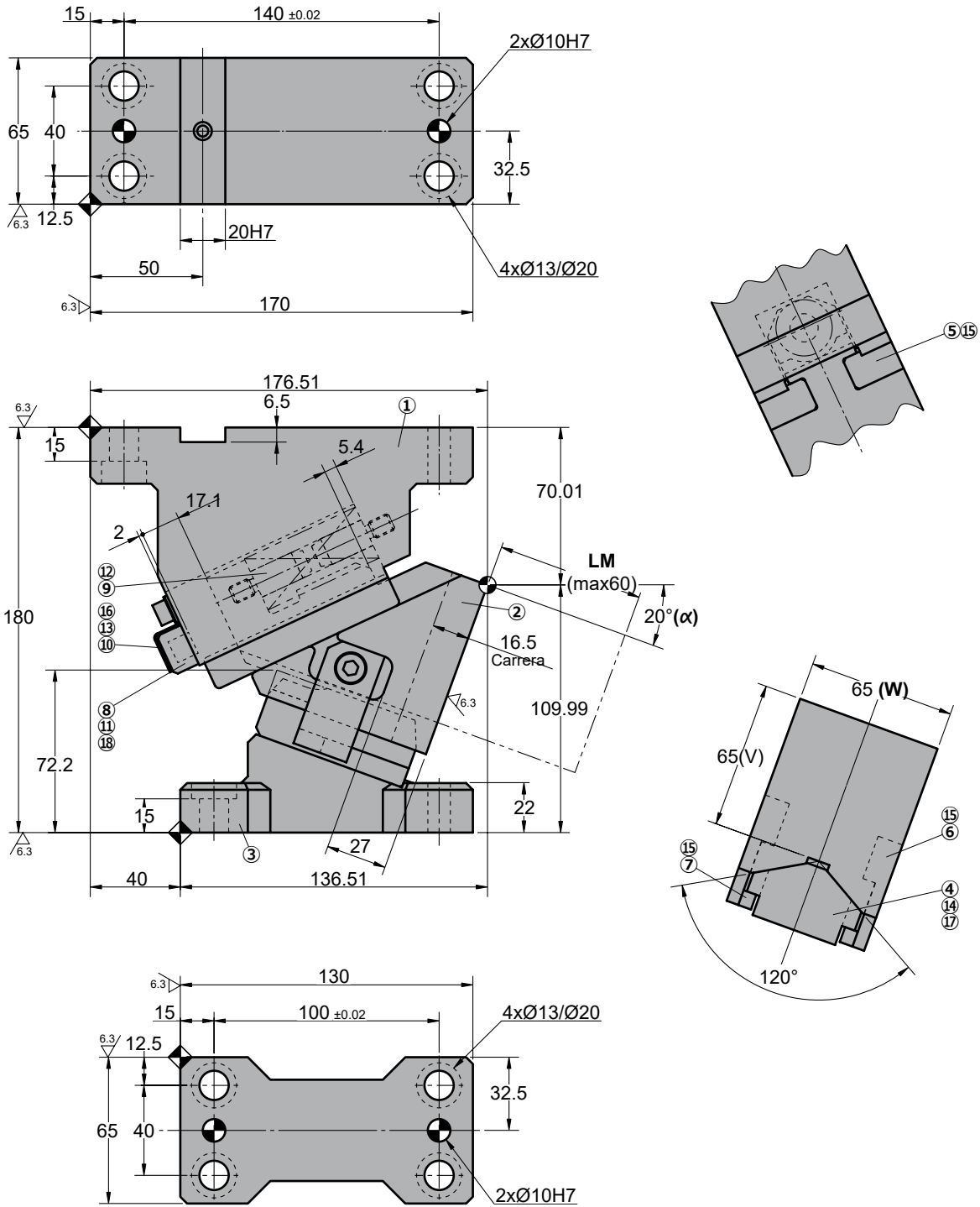
No.	Description	Qty.	Material
⑯	Screw	2	M6 x 10
⑰	Screw	2	M10 x 30
⑱	Screw	2	M8 x 16

# ASCB 0065

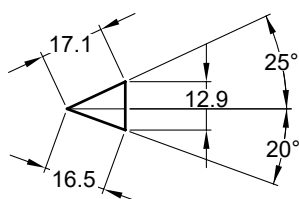
Aerial cam for pierce



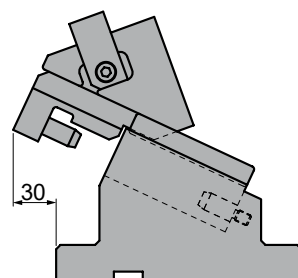
## ASCB 0065 20



◦Cam diagram:



◦Disassembling space:





# ASCB 0065

Aerial cam for pierce

Stroke (mm)	Working force kN - (tons)		Spring Force N - (kgf)		Weight (Kg)	Model	W (mm)	$\alpha$ (mm)
	(1 Million Strokes)	(300.000 Strokes)	Initial F <sub>0</sub>	Final F <sub>1</sub>				
16.5	19.6 (2.0)	39.2 (4.0)	405.1 (41.3)	1220.1 (124.5)	8.6	<b>ASCB</b>	<b>0065</b>	<b>20</b>



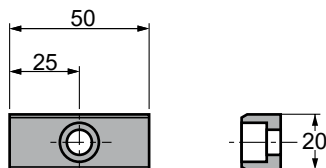
Order: **Model (W) ( $\alpha$ )**  
**ASCB 0065 20**

Standard order example according to catalog sheet. Add options applying options table contents.

## OPTIONS

### K KEY

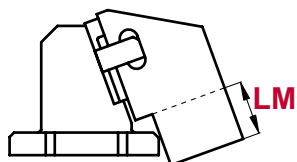
K



1 x M8x15

### LM MOUNT

**LM** Extensible slider mount from 1 to 60 mm (increments of 1 mm). e.g. LM50



### Order Options: Model (W) ( $\alpha$ )-Option



**ASCB 0065 20-K**  
**ASCB 0065 20-LM50**  
**ASCB 0065 20-LM50-K**



### SPARE PARTS:

- ④ Cam Slider Guide
- ⑤ Slider Plate
- ⑫ Coil Spring

## COMPONENTS

No.	Description	Qty.	Material
①	Cam Holder	1	GGG50
②	Cam Slider	1	GGG60
③	Cam Driver	1	GG25
④	Cam Slider Guide	1	Bronze + G
⑤	Slider Plate	2	Bronze
⑥	Positive Return A	1	CK45
⑦	Positive Return B	1	CK45
⑧	Stopper Plate	1	CK22
⑨	Spring Guide Pin	2	CK45
⑩	Security Plate	1	CK45
⑪	Cushioning Stopper	2	Urethane
⑫	Coil Spring	1	TM25-80
⑬	Disc Spring	2	M6
⑭	Dowel Pin	2	Ø8 x 30
⑮	Screw	6	M8 x 18

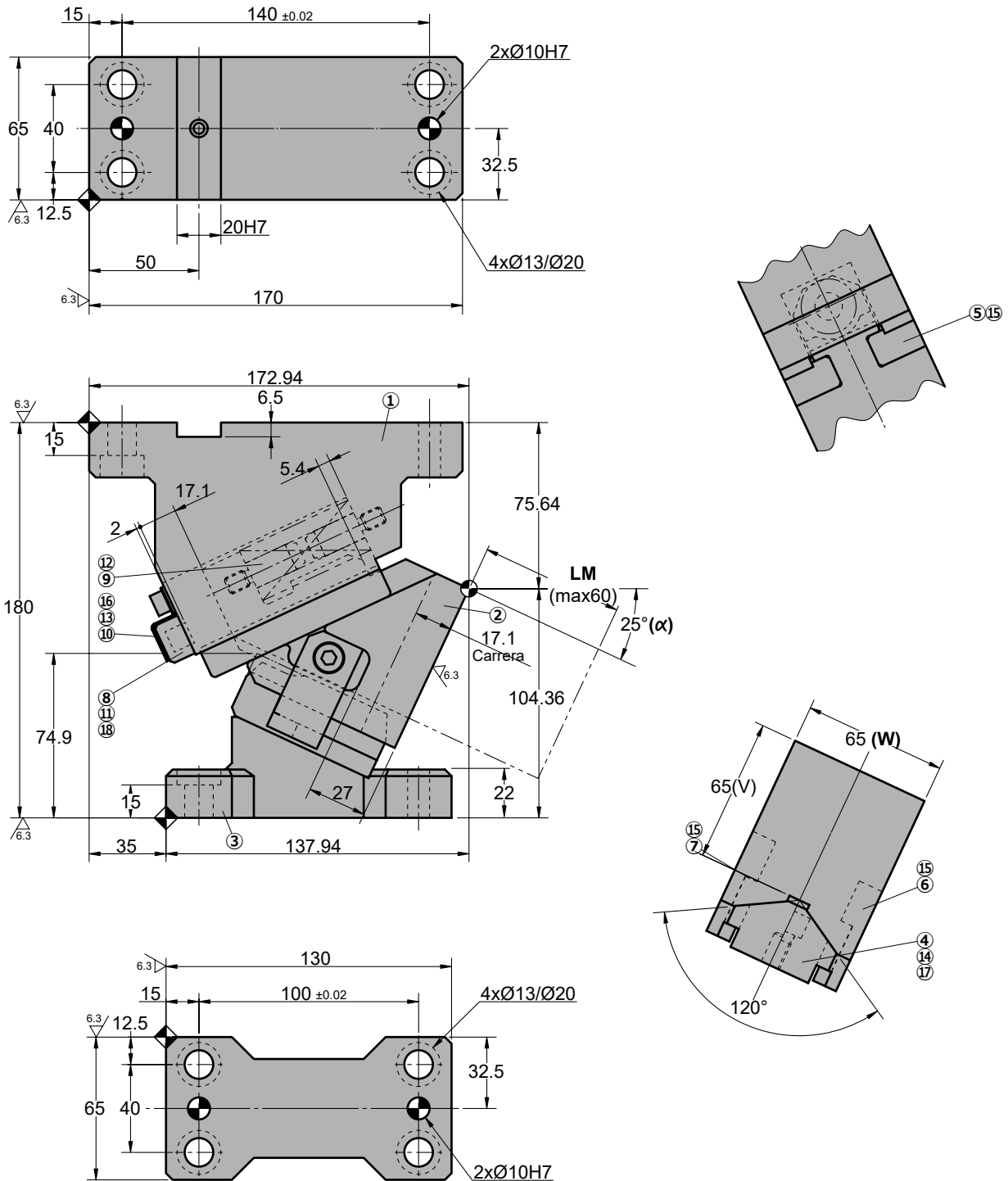
No.	Description	Qty.	Material
⑯	Screw	2	M6 x 10
⑰	Screw	2	M10 x 30
⑱	Screw	2	M8 x 16

# ASCB 0065

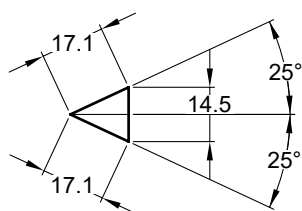
Aerial cam for pierce



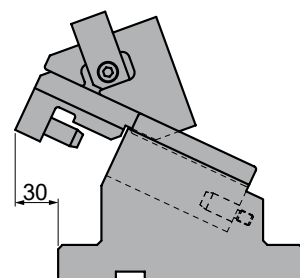
## ASCB 0065 25



### ◦Cam diagram:



### ◦Disassembling space:







# ASCB 0065

Aerial cam for pierce

Stroke (mm)	Working force kN - (tons)		Spring Force N - (kgf)		Weight (Kg)	Model	W (mm)	$\alpha$ (mm)
	(1 Million Strokes)	(300.000 Strokes)	Initial F <sub>0</sub>	Final F <sub>1</sub>				
17.1	19.6 (2.0)	39.2 (4.0)	405.1 (41.3)	1220.1 (124.5)	8.5	<b>ASCB</b>	<b>0065</b>	<b>25</b>



Order: **Model** **(W)** **( $\alpha$ )**  
**ASCB 0065 25**

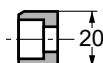
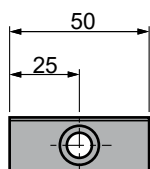
Standard order example according to catalog sheet. Add options applying options table contents.

## OPTIONS

**K**

**KEY**

**K**

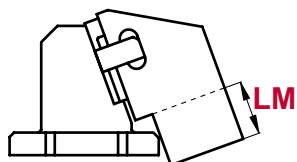


1 x M8x15

**LM**

**MOUNT**

**LM** Extensible slider mount from 1 to 60 mm (increments of 1 mm). e.g. LM50



Order Options: **Model** **(W)** **( $\alpha$ )-Option**



**ASCB 0065 25-K**

**ASCB 0065 25-LM50**

**ASCB 0065 25-LM50-K**



**SPARE PARTS:**

- ④ Cam Slider Guide
- ⑤ Slider Plate
- ⑫ Coil Spring

## COMPONENTS

No.	Description	Qty.	Material
①	Cam Holder	1	GGG50
②	Cam Slider	1	GGG60
③	Cam Driver	1	GG25
④	Cam Slider Guide	1	Bronze + G
⑤	Slider Plate	2	Bronze
⑥	Positive Return A	1	CK45
⑦	Positive Return B	1	CK45
⑧	Stopper Plate	1	CK22
⑨	Spring Guide Pin	2	CK45
⑩	Security Plate	1	CK45
⑪	Cushioning Stopper	2	Urethane
⑫	Coil Spring	1	TM25-80
⑬	Disc Spring	2	M6
⑭	Dowel Pin	2	Ø8 x 30
⑮	Screw	6	M8 x 18

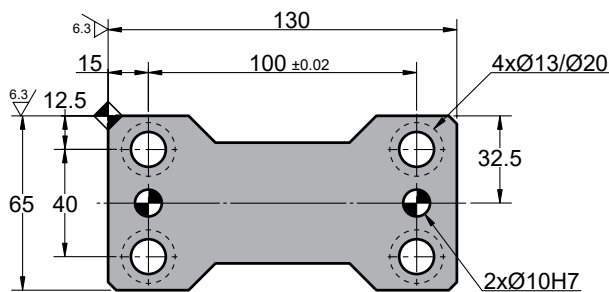
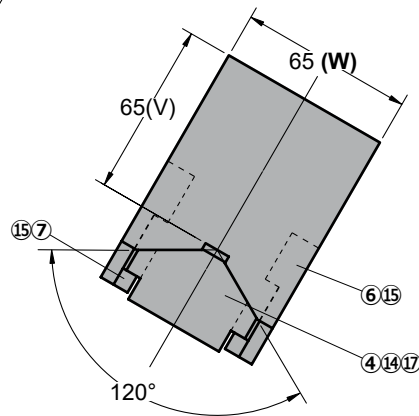
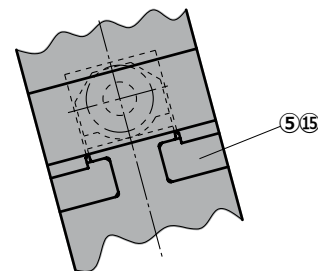
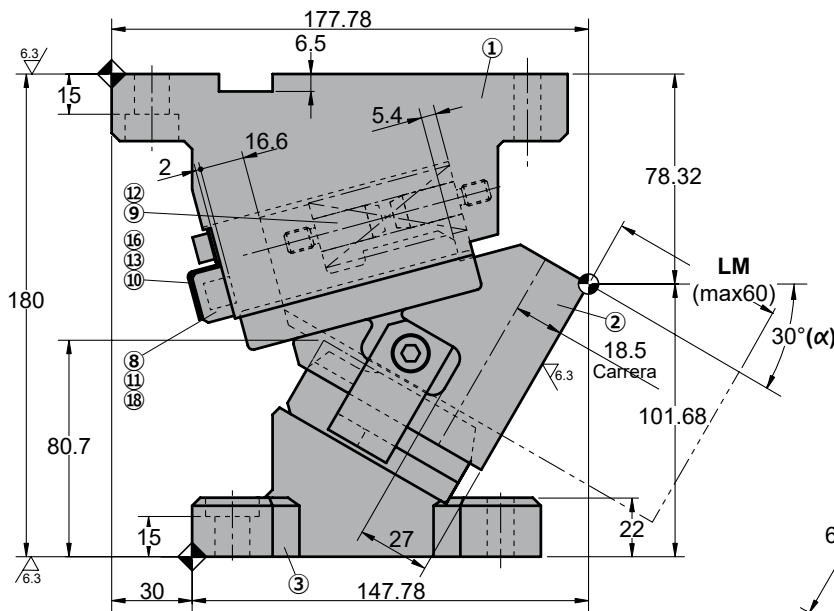
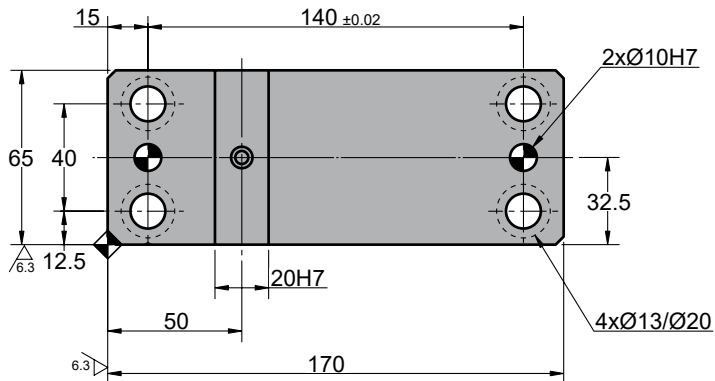
No.	Description	Qty.	Material
⑯	Screw	2	M6 x 10
⑰	Screw	2	M10 x 30
⑱	Screw	2	M8 x 16

# ASCB 0065

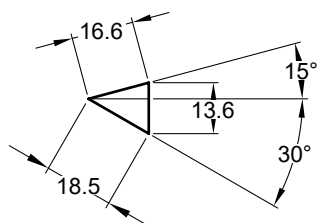
Aerial cam for pierce



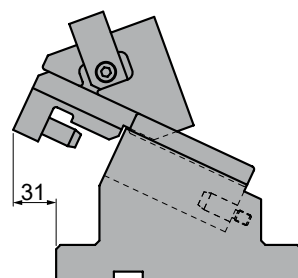
## ASCB 0065 30



### Cam diagram:



### Disassembling space:





# ASCB 0065

Aerial cam for pierce

Stroke (mm)	Working force kN - (tons)		Spring Force N - (kgf)		Weight (Kg)	Model	W (mm)	$\alpha$ (mm)
	(1 Million Strokes)	(300.000 Strokes)	Initial F <sub>0</sub>	Final F <sub>1</sub>				
18.5	19.6 (2.0)	39.2 (4.0)	428.9 (43.8)	1220.1 (124.5)	8.3	<b>ASCB</b>	<b>0065</b>	<b>30</b>



**Order:** Model (W) ( $\alpha$ )  
**ASCB 0065 30**

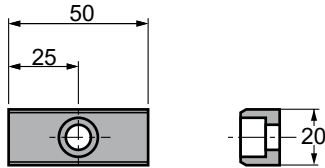
Standard order example according to catalog sheet.  
 Add options applying options table contents.

## OPTIONS

### K

### KEY

K

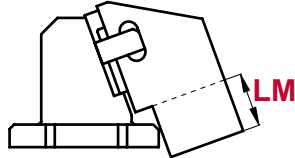


1 x M8x15

### LM

### MOUNT

**LM** Extensible slider mount from 1 to 60 mm (increments of 1 mm). e.g. LM50



### Order Options: Model (W) ( $\alpha$ )-Option



**ASCB 0065 30-K**

**ASCB 0065 30-LM50**

**ASCB 0065 30-LM50-K**



### SPARE PARTS:

- ④ Cam Slider Guide
- ⑤ Slider Plate
- ⑫ Coil Spring

## COMPONENTS

No.	Description	Qty.	Material
①	Cam Holder	1	GGG50
②	Cam Slider	1	GGG60
③	Cam Driver	1	GG25
④	Cam Slider Guide	1	Bronze + G
⑤	Slider Plate	2	Bronze
⑥	Positive Return A	1	CK45
⑦	Positive Return B	1	CK45
⑧	Stopper Plate	1	CK22
⑨	Spring Guide Pin	2	CK45
⑩	Security Plate	1	CK45
⑪	Cushioning Stopper	2	Urethane
⑫	Coil Spring	1	TM25-80
⑬	Disc Spring	2	M6
⑭	Dowel Pin	2	Ø8 x 30
⑮	Screw	6	M8 x 18

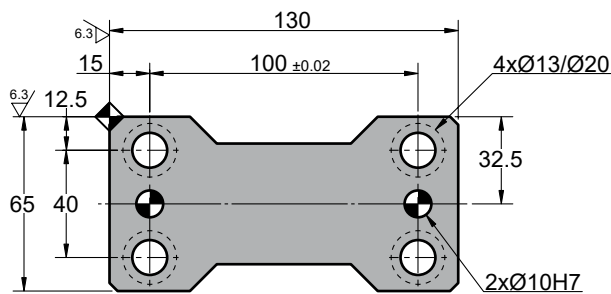
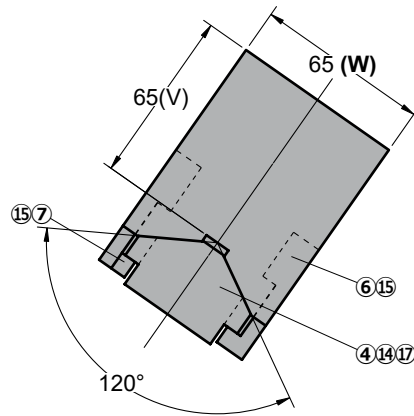
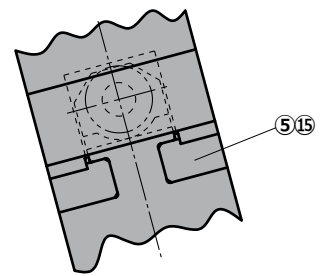
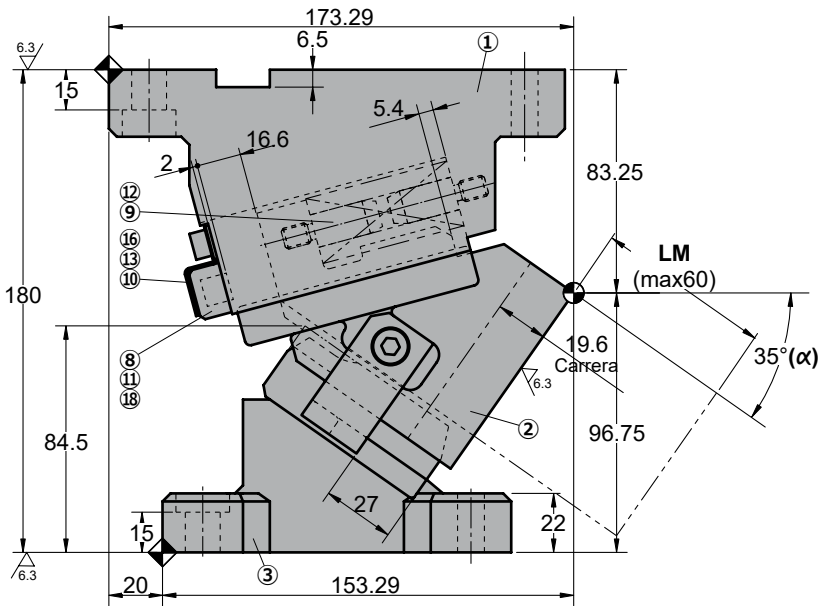
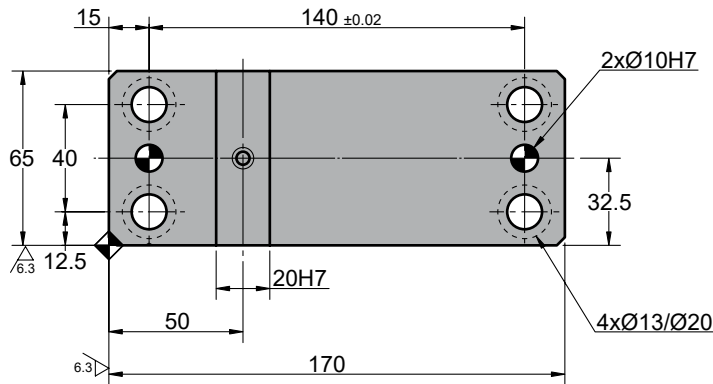
No.	Description	Qty.	Material
⑯	Screw	2	M6 x 10
⑰	Screw	2	M10 x 30
⑱	Screw	2	M8 x 16

# ASCB 0065

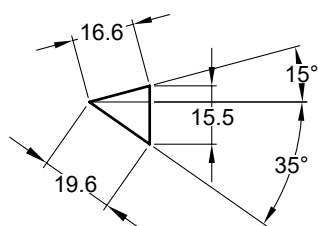
Aerial cam for pierce



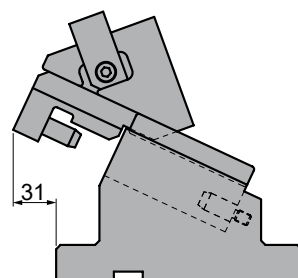
## ASCB 0065 35



### Cam diagram:



### Disassembling space:





# ASCB 0065

Aerial cam for pierce

Stroke (mm)	Working force kN - (tons)		Spring Force N - (kgf)		Weight (Kg)	Model	W (mm)	$\alpha$ (mm)
	(1 Million Strokes)	(300.000 Strokes)	Initial F <sub>0</sub>	Final F <sub>1</sub>				
19.6	19.6 (2.0)	39.2 (4.0)	428.9 (43.8)	1220.1 (124.5)	8.3	<b>ASCB</b>	<b>0065</b>	<b>35</b>



**Order:** Model (W) ( $\alpha$ )  
**ASCB 0065 35**

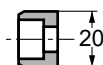
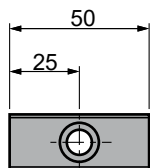
Standard order example according to catalog sheet. Add options applying options table contents.

## OPTIONS

**K**

**KEY**

**K**

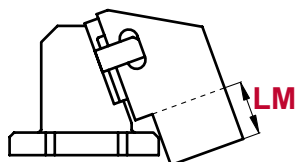


1 x M8x15

**LM**

**MOUNT**

**LM** Extensible slider mount from 1 to 60 mm (increments of 1 mm). e.g. LM50



**Order Options:** Model (W) ( $\alpha$ )-Option



**ASCB 0065 35-K**

**ASCB 0065 35-LM50**

**ASCB 0065 35-LM50-K**



**SPARE PARTS:**

- ④ Cam Slider Guide
- ⑤ Slider Plate
- ⑫ Coil Spring

## COMPONENTS

No.	Description	Qty.	Material
①	Cam Holder	1	GGG50
②	Cam Slider	1	GGG60
③	Cam Driver	1	GG25
④	Cam Slider Guide	1	Bronze + G
⑤	Slider Plate	2	Bronze
⑥	Positive Return A	1	CK45
⑦	Positive Return B	1	CK45
⑧	Stopper Plate	1	CK22
⑨	Spring Guide Pin	2	CK45
⑩	Security Plate	1	CK45
⑪	Cushioning Stopper	2	Urethane
⑫	Coil Spring	1	TM25-80
⑬	Disc Spring	2	M6
⑭	Dowel Pin	2	Ø8 x 30
⑮	Screw	6	M8 x 18

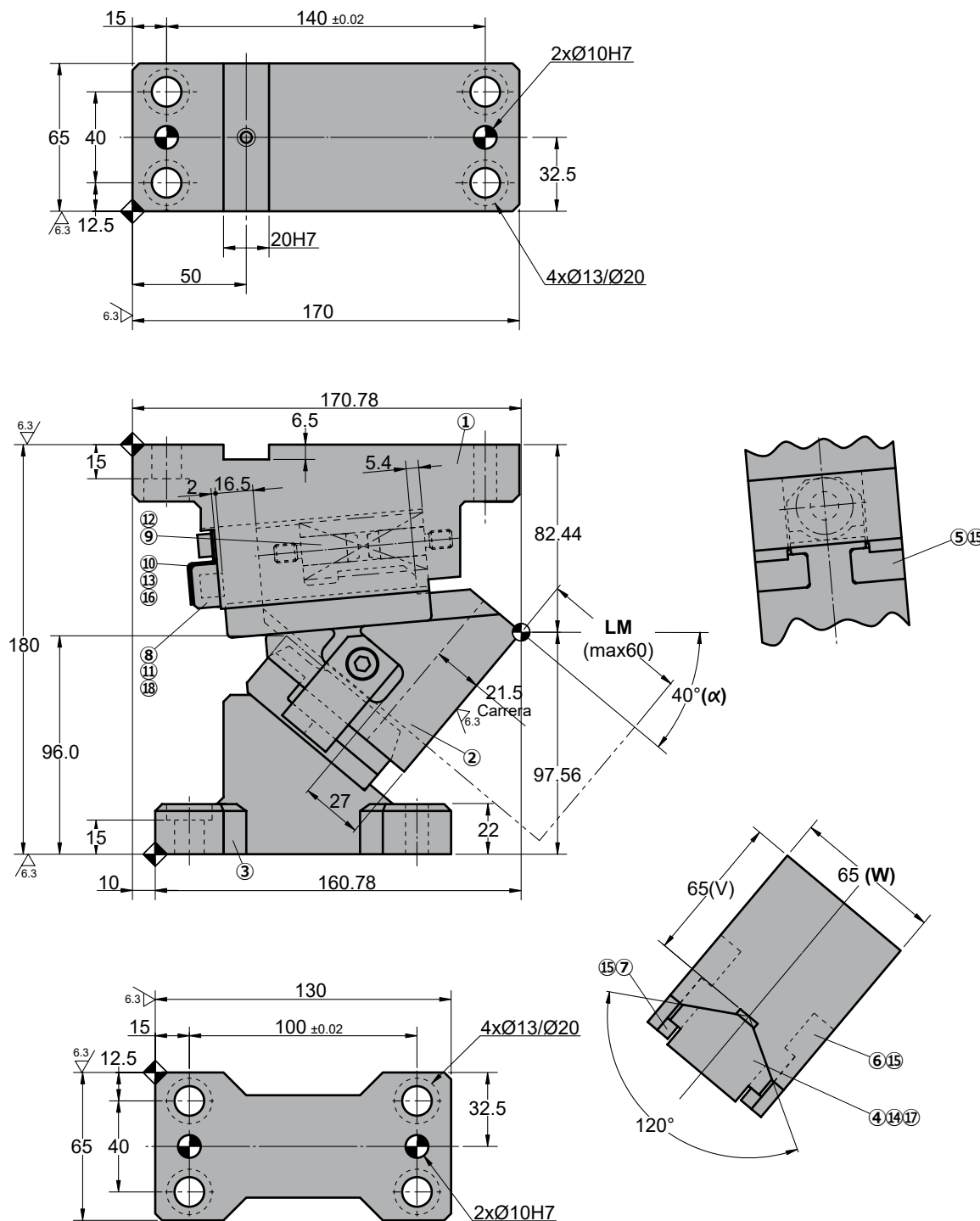
No.	Description	Qty.	Material
⑯	Screw	2	M6 x 10
⑰	Screw	2	M10 x 30
⑱	Screw	2	M8 x 16

# ASCB 0065

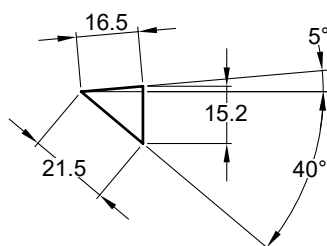
Aerial cam for pierce



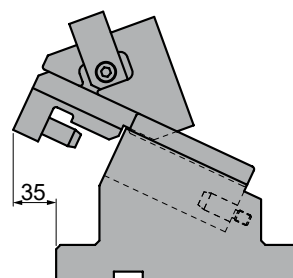
## ASCB 0065 40



◦Cam diagram:



◦Disassembling space:





# ASCB 0065

Aerial cam for pierce

Stroke (mm)	Working force kN - (tons)		Spring Force N - (kgf)		Weight (Kg)	Model	W (mm)	$\alpha$ (mm)
	(1 Million Strokes)	(300.000 Strokes)	Initial F <sub>0</sub>	Final F <sub>1</sub>				
21.5	19.6 (2.0)	39.2 (4.0)	433.7 (44.3)	1220.1 (124.5)	8.1	<b>ASCB</b>	<b>0065</b>	<b>40</b>



**Order:** Model (W) ( $\alpha$ )  
**ASCB 0065 40**

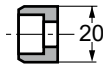
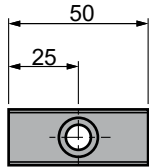
Standard order example according to catalog sheet. Add options applying options table contents.

## OPTIONS

**K**

**KEY**

**K**

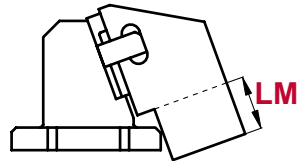


1 x M8x15

**LM**

**MOUNT**

**LM** Extensible slider mount from 1 to 60 mm (increments of 1 mm). e.g. LM50



**Order Options:** Model (W) ( $\alpha$ )-Option



**ASCB 0065 40-K**

**ASCB 0065 40-LM50**

**ASCB 0065 40-LM50-K**



**SPARE PARTS:**

- ④ Cam Slider Guide
- ⑤ Slider Plate
- ⑫ Coil Spring

## COMPONENTS

No.	Description	Qty.	Material
①	Cam Holder	1	GGG50
②	Cam Slider	1	GGG60
③	Cam Driver	1	GG25
④	Cam Slider Guide	1	Bronze + G
⑤	Slider Plate	2	Bronze
⑥	Positive Return A	1	CK45
⑦	Positive Return B	1	CK45
⑧	Stopper Plate	1	CK22
⑨	Spring Guide Pin	2	CK45
⑩	Security Plate	1	CK45
⑪	Cushioning Stopper	2	Urethane
⑫	Coil Spring	1	TM25-80
⑬	Disc Spring	2	M6
⑭	Dowel Pin	2	Ø8 x 30
⑮	Screw	6	M8 x 18

No.	Description	Qty.	Material
⑯	Screw	2	M6 x 10
⑰	Screw	2	M10 x 30
⑱	Screw	2	M8 x 16

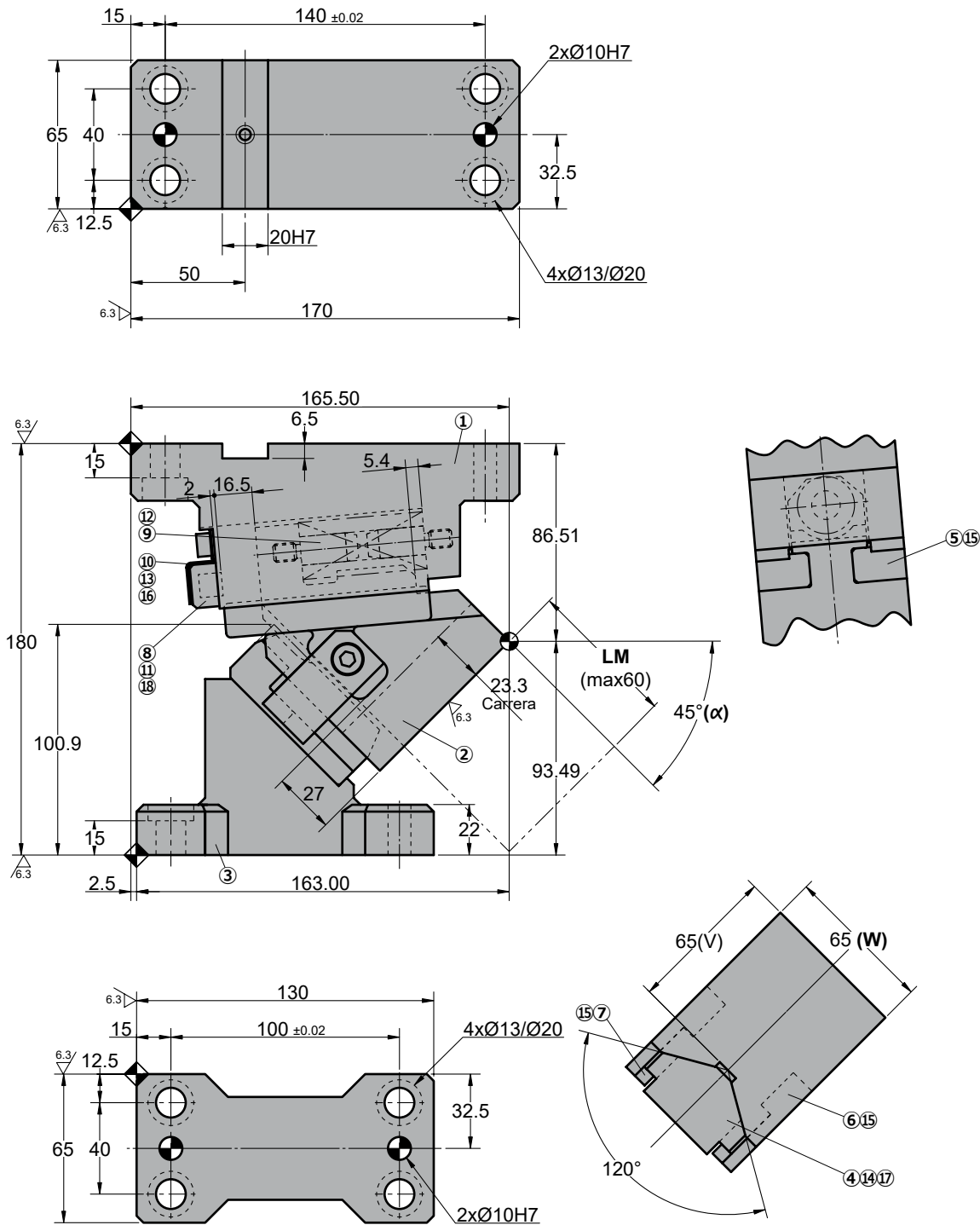


# ASCB 0065

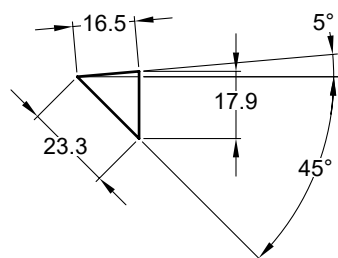
Aerial cam for pierce



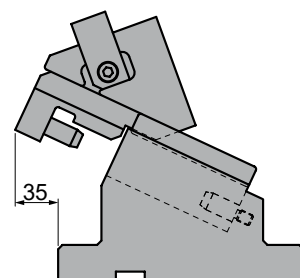
## ASCB 0065 45



### Cam diagram:



### Disassembling space:





# ASCB 0065

Aerial cam for pierce

Stroke (mm)	Working force kN - (tons)		Spring Force N - (kgf)		Weight (Kg)	Model	W (mm)	$\alpha$ (mm)
	(1 Million Strokes)	(300.000 Strokes)	Initial F <sub>0</sub>	Final F <sub>1</sub>				
23.3	19.6 (2.0)	39.2 (4.0)	433.7 (44.3)	1220.1 (124.5)	8.1	<b>ASCB</b>	<b>0065</b>	<b>45</b>



**Order:** Model (W) ( $\alpha$ )  
**ASCB 0065 45**

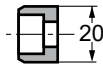
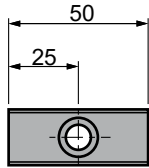
Standard order example according to catalog sheet. Add options applying options table contents.

## OPTIONS

**K**

**KEY**

**K**

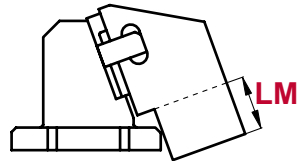


1 x M8x15

**LM**

**MOUNT**

**LM** Extensible slider mount from 1 to 60 mm (increments of 1 mm). e.g. LM50



**Order Options:** Model (W) ( $\alpha$ )-Option



**ASCB 0065 45-K**

**ASCB 0065 45-LM50**

**ASCB 0065 45-LM50-K**



**SPARE PARTS:**

- ④ Cam Slider Guide
- ⑤ Slider Plate
- ⑫ Coil Spring

## COMPONENTS

No.	Description	Qty.	Material
①	Cam Holder	1	GGG50
②	Cam Slider	1	GGG60
③	Cam Driver	1	GG25
④	Cam Slider Guide	1	Bronze + G
⑤	Slider Plate	2	Bronze
⑥	Positive Return A	1	CK45
⑦	Positive Return B	1	CK45
⑧	Stopper Plate	1	CK22
⑨	Spring Guide Pin	2	CK45
⑩	Security Plate	1	CK45
⑪	Cushioning Stopper	2	Urethane
⑫	Coil Spring	1	TM25-80
⑬	Disc Spring	2	M6
⑭	Dowel Pin	2	Ø8 x 30
⑮	Screw	6	M8 x 18

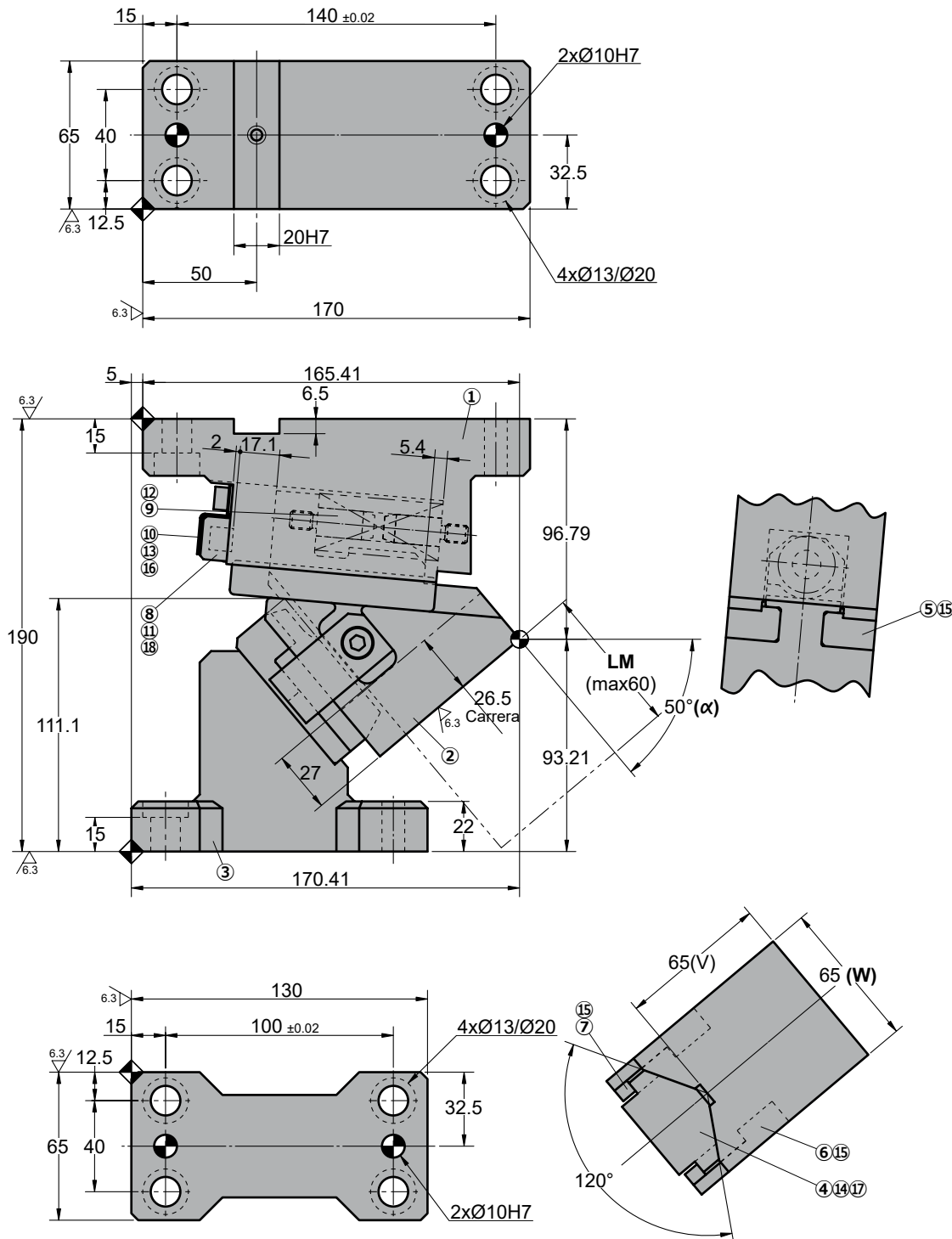
No.	Description	Qty.	Material
⑯	Screw	2	M6 x 10
⑰	Screw	2	M10 x 30
⑱	Screw	2	M8 x 16

# ASCB 0065

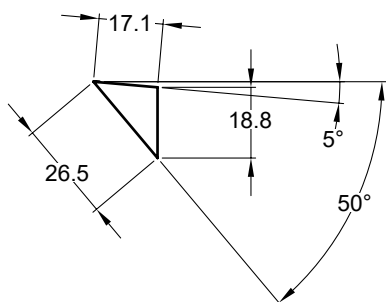
Aerial cam for pierce



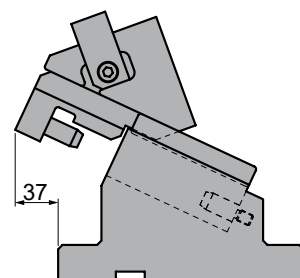
## ASCB 0065 50



◦Cam diagram:



◦Disassembling space:





# ASCB 0065

Aerial cam for pierce

Stroke (mm)	Working force kN - (tons)		Spring Force N - (kgf)		Weight (Kg)	Model	W (mm)	$\alpha$ (mm)
	(1 Million Strokes)	(300.000 Strokes)	Initial F <sub>0</sub>	Final F <sub>1</sub>				
26.5	19.6 (2.0)	39.2 (4.0)	405.1 (41.3)	1220.1 (124.5)	8.4	<b>ASCB</b>	<b>0065</b>	<b>50</b>



Order: Model (W) ( $\alpha$ )

**ASCB 0065 50**

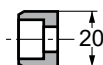
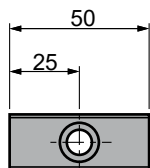
Standard order example according to catalog sheet. Add options applying options table contents.

## OPTIONS

**K**

**KEY**

**K**

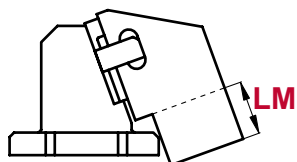


1 x M8x15

**LM**

**MOUNT**

**LM** Extensible slider mount from 1 to 60 mm (increments of 1 mm). e.g. LM50



Order Options: Model (W) ( $\alpha$ )-Option



**ASCB 0065 50-K**

**ASCB 0065 50-LM50**

**ASCB 0065 50-LM50-K**



**SPARE PARTS:**

- ④ Cam Slider Guide
- ⑤ Slider Plate
- ⑫ Coil Spring

## COMPONENTS

No.	Description	Qty.	Material
①	Cam Holder	1	GGG50
②	Cam Slider	1	GGG60
③	Cam Driver	1	GG25
④	Cam Slider Guide	1	Bronze + G
⑤	Slider Plate	2	Bronze
⑥	Positive Return A	1	CK45
⑦	Positive Return B	1	CK45
⑧	Stopper Plate	1	CK22
⑨	Spring Guide Pin	2	CK45
⑩	Security Plate	1	CK45
⑪	Cushioning Stopper	2	Urethane
⑫	Coil Spring	1	TM25-80
⑬	Disc Spring	2	M6
⑭	Dowel Pin	2	Ø8 x 30
⑮	Screw	6	M8 x 18

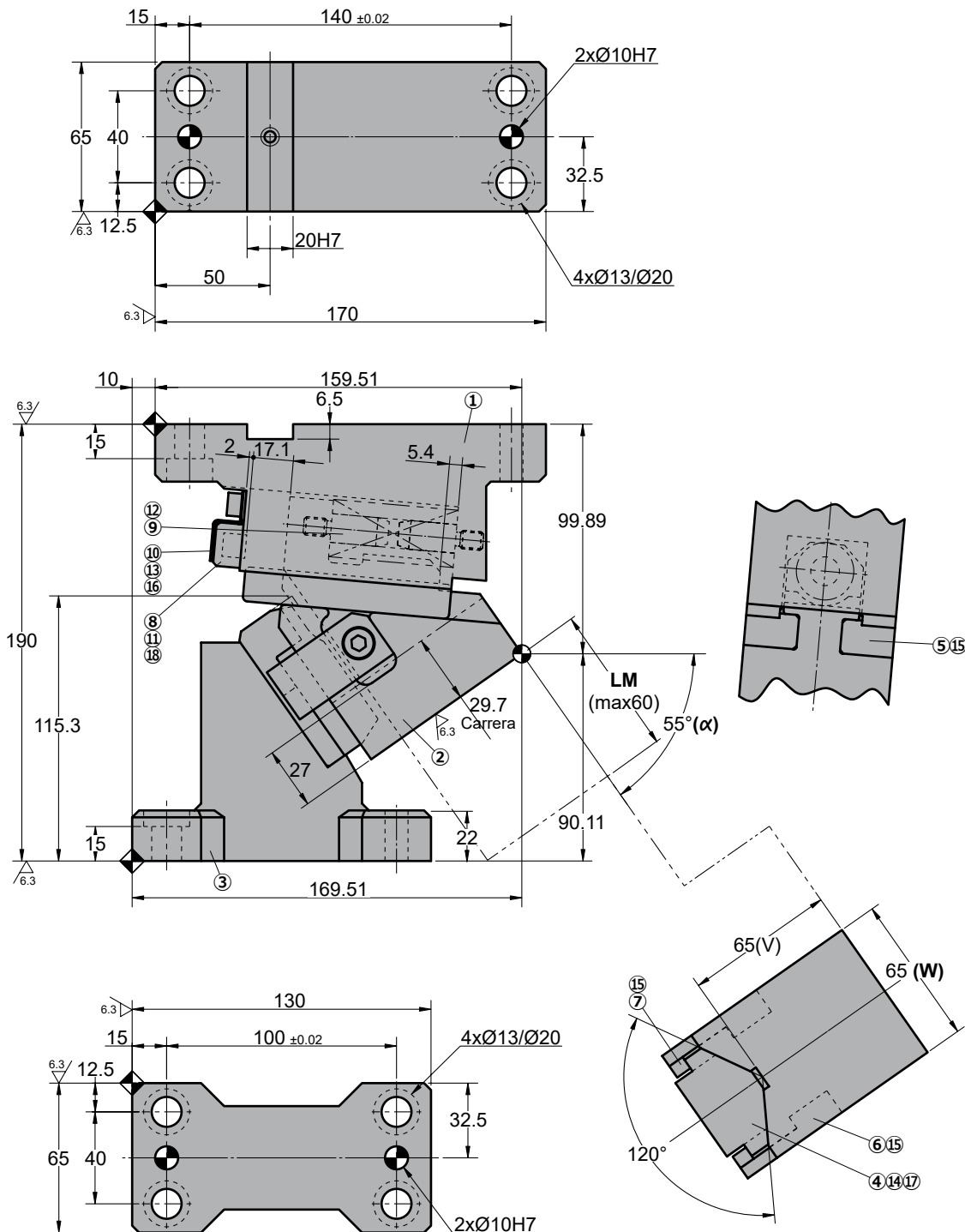
No.	Description	Qty.	Material
⑯	Screw	2	M6 x 10
⑰	Screw	2	M10 x 30
⑱	Screw	2	M8 x 16

# ASCB 0065

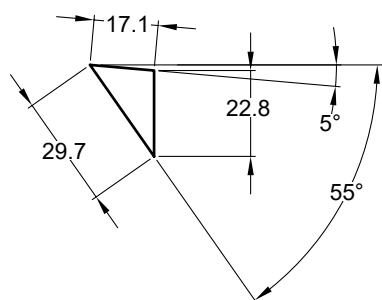
Aerial cam for pierce



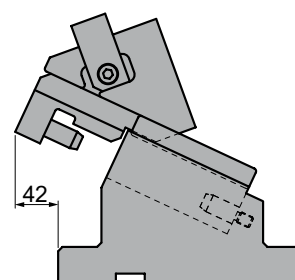
## ASCB 0065 55



◦Cam diagram:



◦Disassembling space:





# ASCB 0065

Aerial cam for pierce

Stroke (mm)	Working force kN - (tons)		Spring Force N - (kgf)		Weight (Kg)	Model	W (mm)	$\alpha$ (mm)
	(1 Million Strokes)	(300.000 Strokes)	Initial F <sub>0</sub>	Final F <sub>1</sub>				
29.7	19.6 (2.0)	39.2 (4.0)	405.1 (41.3)	1220.1 (124.5)	8.4	<b>ASCB</b>	<b>0065</b>	<b>55</b>



**Order:** Model (W) ( $\alpha$ )  
**ASCB 0065 55**

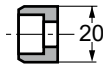
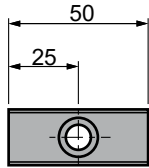
Standard order example according to catalog sheet. Add options applying options table contents.

## OPTIONS

**K**

**KEY**

**K**

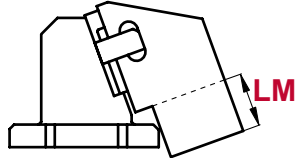


1 x M8x15

**LM**

**MOUNT**

**LM** Extensible slider mount from 1 to 60 mm (increments of 1 mm). e.g. LM50



**Order Options:** Model (W) ( $\alpha$ )-Option



**ASCB 0065 55-K**

**ASCB 0065 55-LM50**

**ASCB 0065 55-LM50-K**



**SPARE PARTS:**

- ④ Cam Slider Guide
- ⑤ Slider Plate
- ⑫ Coil Spring

## COMPONENTS

No.	Description	Qty.	Material
①	Cam Holder	1	GGG50
②	Cam Slider	1	GGG60
③	Cam Driver	1	GG25
④	Cam Slider Guide	1	Bronze + G
⑤	Slider Plate	2	Bronze
⑥	Positive Return A	1	CK45
⑦	Positive Return B	1	CK45
⑧	Stopper Plate	1	CK22
⑨	Spring Guide Pin	2	CK45
⑩	Security Plate	1	CK45
⑪	Cushioning Stopper	2	Urethane
⑫	Coil Spring	1	TM25-80
⑬	Disc Spring	2	M6
⑭	Dowel Pin	2	Ø8 x 30
⑮	Screw	6	M8 x 18

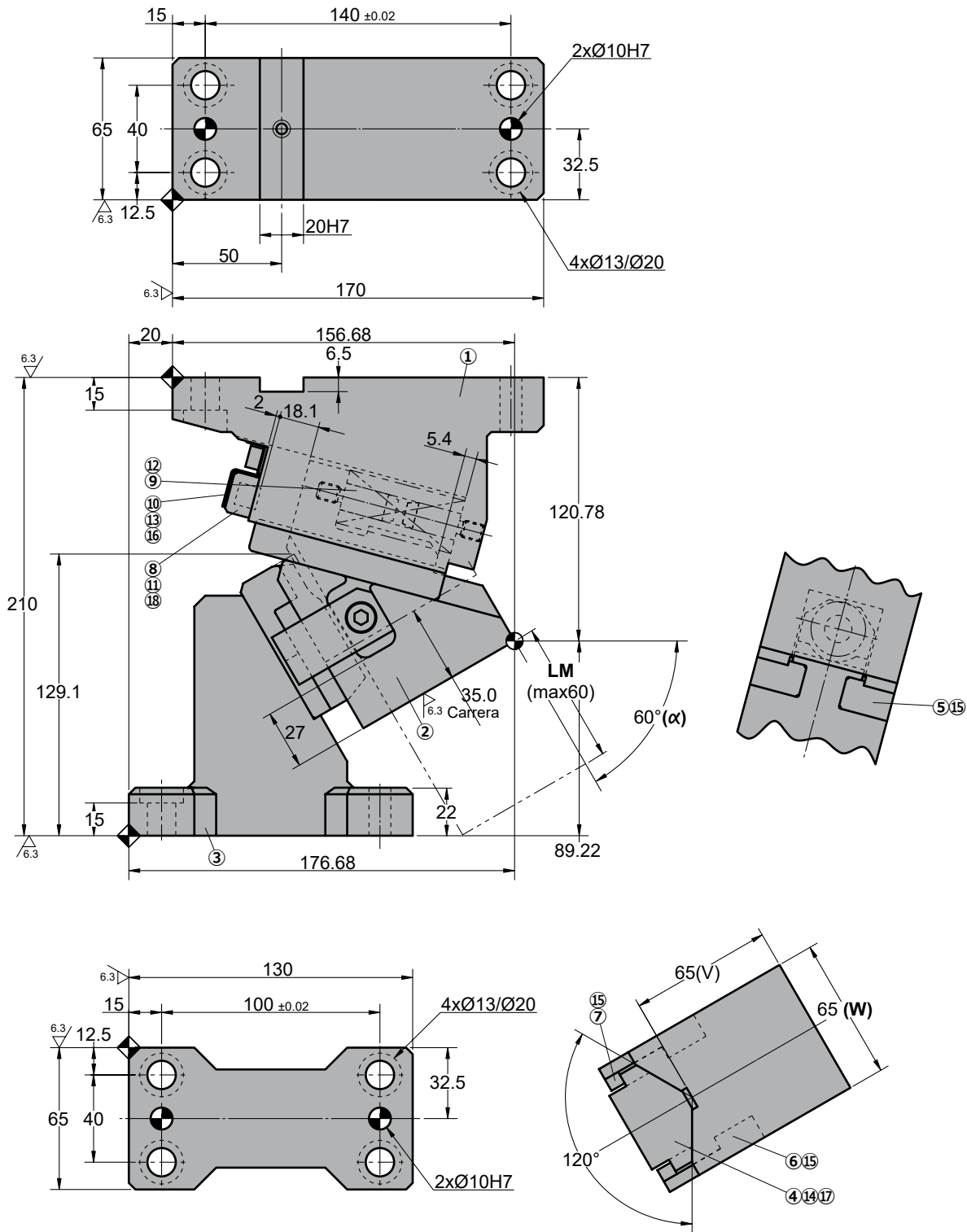
No.	Description	Qty.	Material
⑯	Screw	2	M6 x 10
⑰	Screw	2	M10 x 30
⑱	Screw	2	M8 x 16

# ASCB 0065

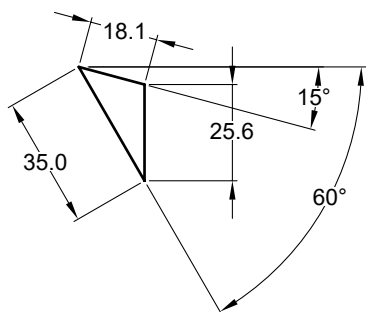
Aerial cam for pierce



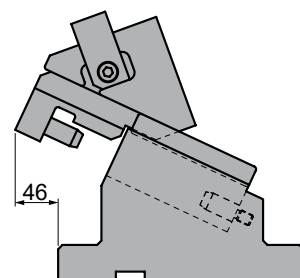
## ASCB 0065 60



### ◦Cam diagram:



### ◦Disassembling space:







# ASCB 0065

Aerial cam for pierce

Stroke (mm)	Working force kN - (tons)		Spring Force N - (kgf)		Weight (Kg)	Model	W (mm)	$\alpha$ (mm)
	(1 Million Strokes)	(300.000 Strokes)	Initial F <sub>0</sub>	Final F <sub>1</sub>				
35.0	19.6 (2.0)	39.2 (4.0)	357.5 (36.5)	1220.1 (124.5)	9.3	<b>ASCB</b>	<b>0065</b>	<b>60</b>



Order: **Model (W) ( $\alpha$ )**  
**ASCB 0065 60**

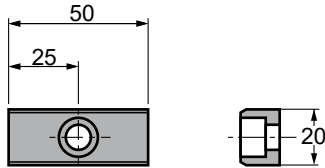
Standard order example according to catalog sheet. Add options applying options table contents.

## OPTIONS

**K**

**KEY**

**K**

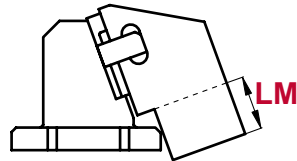


1 x M8x15

**LM**

**MOUNT**

**LM** Extensible slider mount from 1 to 60 mm (increments of 1 mm). e.g. LM50



Order Options: **Model (W) ( $\alpha$ )-Option**



**ASCB 0065 60-K**  
**ASCB 0065 60-LM50**  
**ASCB 0065 60-LM50-K**



**SPARE PARTS:**

- ④ Cam Slider Guide
- ⑤ Slider Plate
- ⑫ Coil Spring

## COMPONENTS

No.	Description	Qty.	Material
①	Cam Holder	1	GGG50
②	Cam Slider	1	GGG60
③	Cam Driver	1	GG25
④	Cam Slider Guide	1	Bronze + G
⑤	Slider Plate	2	Bronze
⑥	Positive Return A	1	CK45
⑦	Positive Return B	1	CK45
⑧	Stopper Plate	1	CK22
⑨	Spring Guide Pin	2	CK45
⑩	Security Plate	1	CK45
⑪	Cushioning Stopper	2	Urethane
⑫	Coil Spring	1	TM25-80
⑬	Disc Spring	2	M6
⑭	Dowel Pin	2	Ø8 x 30
⑮	Screw	6	M8 x 18

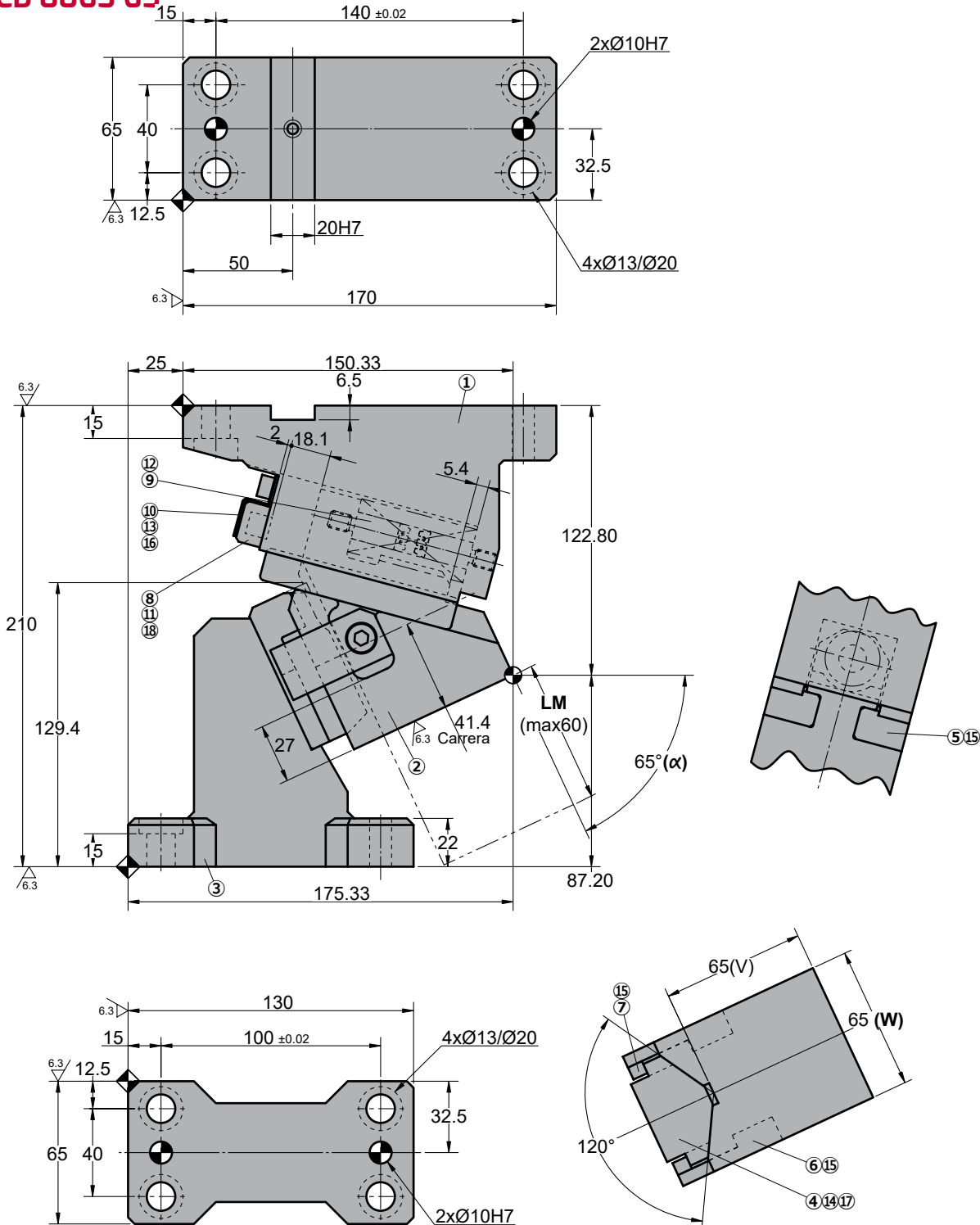
No.	Description	Qty.	Material
⑯	Screw	2	M6 x 10
⑰	Screw	2	M10 x 30
⑱	Screw	2	M8 x 16

# ASCB 0065

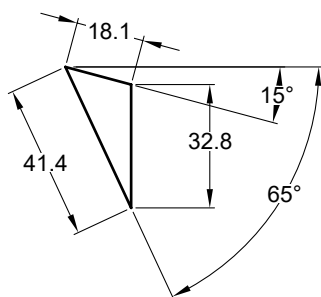
Aerial cam for pierce



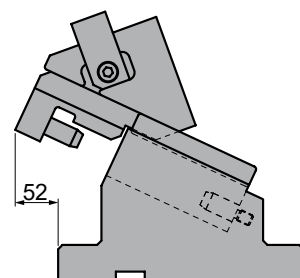
## ASCB 0065 65



◦Cam diagram:



◦Disassembling space:





# ASCB 0065

Aerial cam for pierce

Stroke (mm)	Working force kN - (tons)		Spring Force N - (kgf)		Weight (Kg)	Model	W (mm)	$\alpha$ (mm)
	(1 Million Strokes)	(300.000 Strokes)	Initial F <sub>0</sub>	Final F <sub>1</sub>				
41.4	19.6 (2.0)	39.2 (4.0)	357.5 (36.5)	1220.1 (124.5)	9.3	<b>ASCB</b>	<b>0065</b>	<b>65</b>



Order: **Model** **(W)** **( $\alpha$ )**  
**ASCB 0065 65**

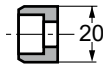
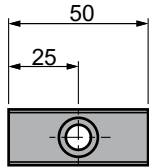
Standard order example according to catalog sheet. Add options applying options table contents.

## OPTIONS

### K

### KEY

K

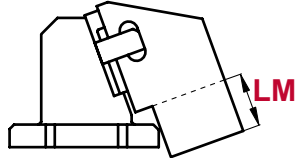


1 x M8x15

### LM

### MOUNT

**LM** Extensible slider mount from 1 to 60 mm (increments of 1 mm). e.g. LM50



### Order Options: Model (W) ( $\alpha$ )-Option



**ASCB 0065 65-K**

**ASCB 0065 65-LM50**

**ASCB 0065 65-LM50-K**



### SPARE PARTS:

- ④ Cam Slider Guide
- ⑤ Slider Plate
- ⑫ Coil Spring

## COMPONENTS

No.	Description	Qty.	Material
①	Cam Holder	1	GGG50
②	Cam Slider	1	GGG60
③	Cam Driver	1	GG25
④	Cam Slider Guide	1	Bronze + G
⑤	Slider Plate	2	Bronze
⑥	Positive Return A	1	CK45
⑦	Positive Return B	1	CK45
⑧	Stopper Plate	1	CK22
⑨	Spring Guide Pin	2	CK45
⑩	Security Plate	1	CK45
⑪	Cushioning Stopper	2	Urethane
⑫	Coil Spring	1	TM25-80
⑬	Disc Spring	2	M6
⑭	Dowel Pin	2	Ø8 x 30
⑮	Screw	6	M8 x 18

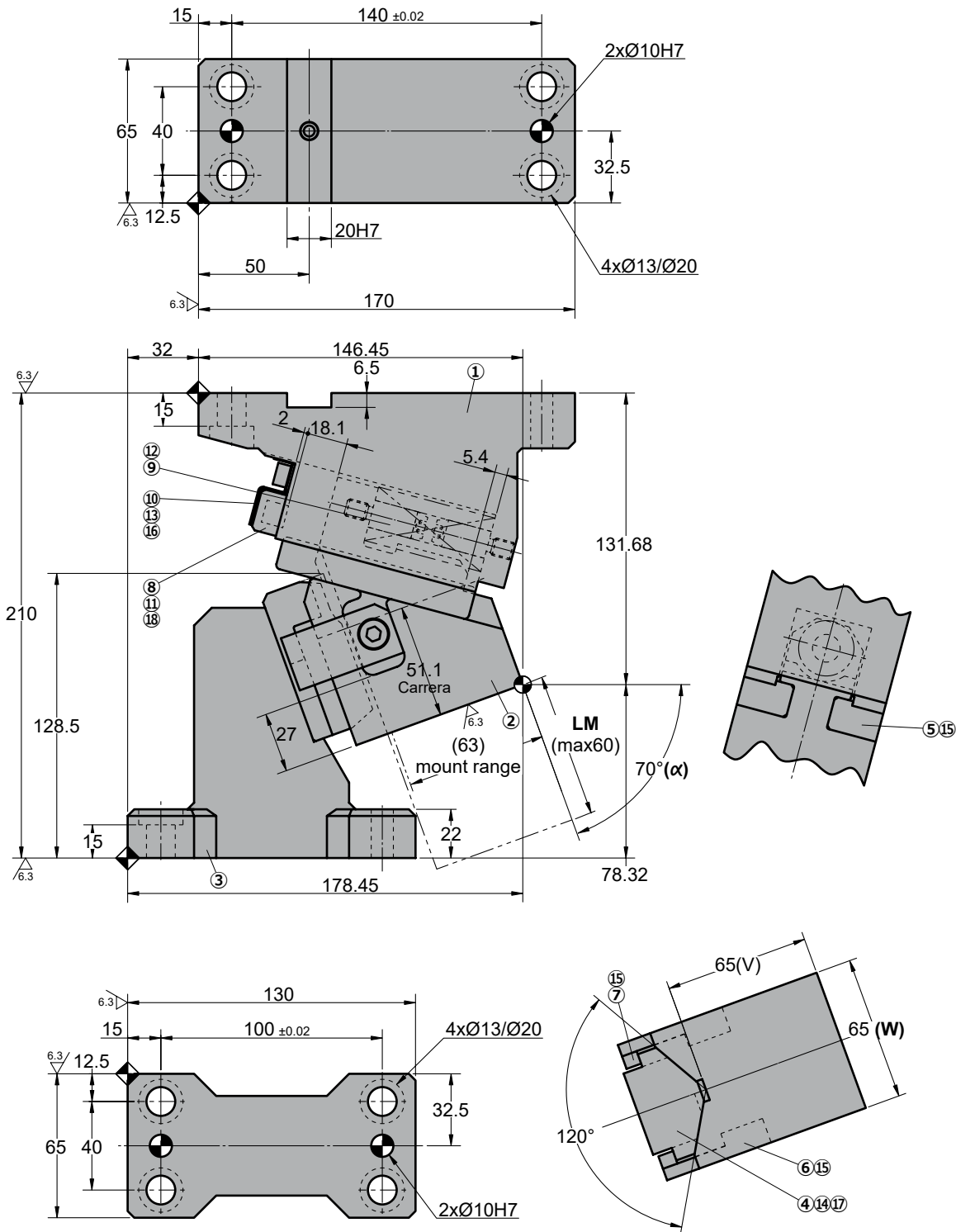
No.	Description	Qty.	Material
⑯	Screw	2	M6 x 10
⑰	Screw	2	M10 x 30
⑱	Screw	2	M8 x 16

# ASCB 0065

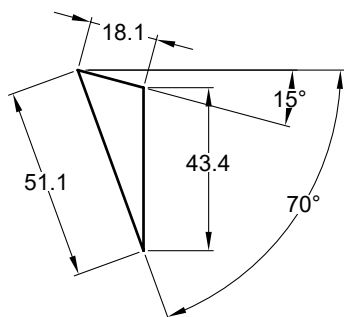
Aerial cam for pierce



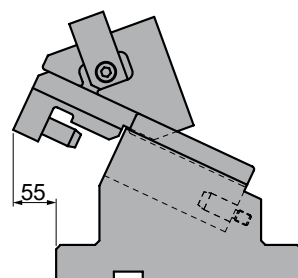
## ASCB 0065 70



◦Cam diagram:



◦Disassembling space:





# ASCB 0065

Aerial cam for pierce

Stroke (mm)	Working force kN - (tons)		Spring Force N - (kgf)		Weight (Kg)	Model	W (mm)	$\alpha$ (mm)
	(1 Million Strokes)	(300.000 Strokes)	Initial F <sub>0</sub>	Final F <sub>1</sub>				
51.1	19.6 (2.0)	39.2 (4.0)	357.5 (36.5)	1220.1 (124.5)	9.5	<b>ASCB</b>	<b>0065</b>	<b>70</b>

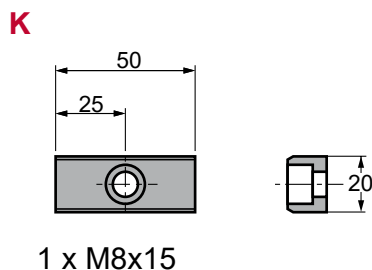


Order: Model (W) ( $\alpha$ )  
**ASCB 0065 70**

Standard order example according to catalog sheet. Add options applying options table contents.

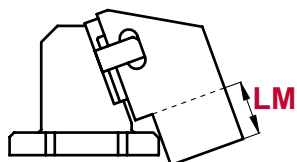
## OPTIONS

### K KEY



### LM MOUNT

**LM** Extensible slider mount from 1 to 60 mm (increments of 1 mm). e.g. LM50



### Order Options: Model (W) ( $\alpha$ )-Option



**ASCB 0065 70-K**  
**ASCB 0065 70-LM50**  
**ASCB 0065 70-LM50-K**



### SPARE PARTS:

- ④ Cam Slider Guide
- ⑤ Slider Plate
- ⑫ Coil Spring

## COMPONENTS

No.	Description	Qty.	Material
①	Cam Holder	1	GGG50
②	Cam Slider	1	GGG60
③	Cam Driver	1	GG25
④	Cam Slider Guide	1	Bronze + G
⑤	Slider Plate	2	Bronze
⑥	Positive Return A	1	CK45
⑦	Positive Return B	1	CK45
⑧	Stopper Plate	1	CK22
⑨	Spring Guide Pin	2	CK45
⑩	Security Plate	1	CK45
⑪	Cushioning Stopper	2	Urethane
⑫	Coil Spring	1	TM25-80
⑬	Disc Spring	2	M6
⑭	Dowel Pin	2	Ø8 x 30
⑮	Screw	6	M8 x 18

No.	Description	Qty.	Material
⑯	Screw	2	M6 x 10
⑰	Screw	2	M10 x 30
⑱	Screw	2	M8 x 16

# ASCB 0065



*Aerial cam for pierce*